

# **THREE-WAY FILTER TAPS**

## **INSTALL GUIDE**

## / CAREFULLY SELECT THE POSITIONS FOR

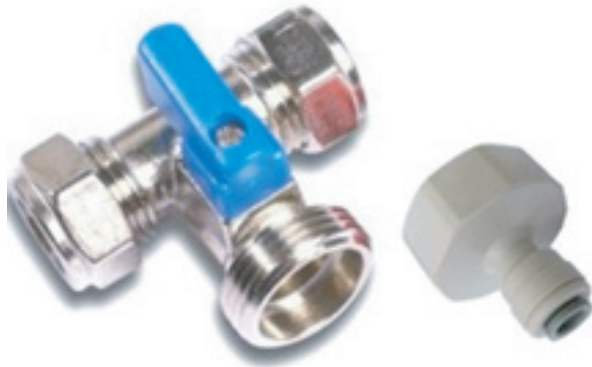
1. 3 way tap – allow enough room to turn the tap for tightening, this also applies beneath the sink/ worktop when fixing the tap in position.
2. Tee type B507 saddle valve (if used) – allow enough access for your spanner when tightening both connections.
3. Allow sufficient space below the filter when changing the cartridge – recommended 100mm
4. Ensure the ends of the 3/8" tubing is chamfered for every push fit connection before you connect them otherwise a sharp edge may cause damage to the seal.

## / INSTALLING THE LSF140 FILTER

It is recommended to fit the filter vertically using the bracket and screws provided – see picture below. Insert inlet/outlet adaptors provided using PTFE on male thread to seal.



## / INSTALLING THE TEE TYPE B507 SADDLE VALVE (IF USED)



5. Turn off your mains water supply and relieve the water pressure by opening a mains cold tap.
6. Remove 15mm of mains copper pipe where B507 is to be installed.
7. Screw grey plastic fitting to Tee valve  $\frac{3}{4}$ " thread. Tighten to seal.
8. Install Tee valve and apply sealant to olive as shown in the right hand picture above.
9. Connect  $\frac{3}{8}$ " tubing to grey speedfit connection by pushing in tube until it stops – approx 1.5cm A little grease or fairy liquid may help here and remember to chamfer end (max 1mm chamfer).
10. Cut  $\frac{3}{8}$ " tubing to length and insert into Inlet connection of filter, again chamfer and allow approx. 1.5cm as above

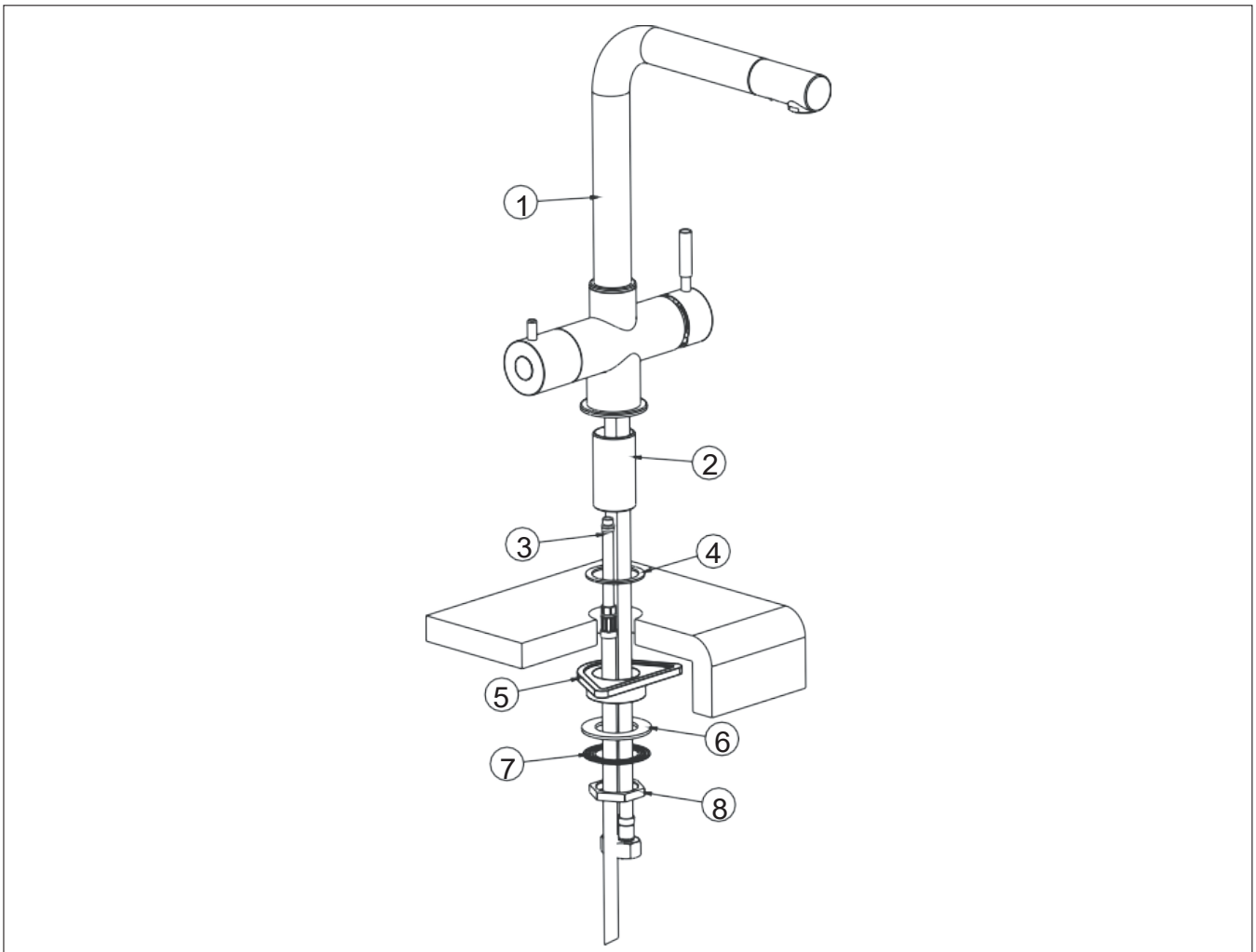
## / ALTERNATIVE SUPPLY CONNECTION BY USING RAPID FIT BYPASS.



11. Turn off your water supply and relieve the water pressure by opening a mains cold tap.
12. Remove white seal plug adjacent to SUPPLY IN connection by pushing grey collet tight against Rapid Fit bypass body. Hold collet against body and pull white seal plug out of connection.
13. Insert  $\frac{3}{8}$ " tubing into this revealed connection until it stops – approx. 1.5cm
14. Cut  $\frac{3}{8}$ " tubing to length and insert into Inlet connection of filter, again chamfer and allow approx. 1.5cm as above

## / INSTALLING THE 3 WAY TAP

Carefully select the site for your tap, allowing access below the sink/worktop for your spanner.



15. Drill the chosen position with a 32mm drill bit (or use pre-drilled sink hole). It is recommended to dot punch a sink top before actually drilling to prevent your drill from slipping.

16. Slide the attached hot/cold hoses through the bronze screw shaft (2).

17. Take the flexible hose for the filtered water (3) and slide this through the bronze screw shaft (2) and screw this in to the bottom of the tap. Ensure all 3 hoses are tightened.

18. Screw the bronze screw shaft (2) in to the base of tap, at the same time attach the under base gasket (4) to the base of the tap.

19. Put all three hoses through the hole in the worktop/sink.

20. Take the remaining securing parts and fit in the following order, stabilizer triangle (5), gasket (6), wavy steel ring (7). Finally secure the parts with the hexagonal nut (8). Tighten using a spanner.

21. Attach the grey fitting to the end of the flexible filtered water hose (3), tighten to seal. Attach the 3/8" tubing from the outlet of the filter to the grey fitting (remember to chamfer both ends of the tubing).

## / CONNECTING HOT AND COLD WATER

22. Connect the 2 brass fittings (right) to your 15mm hot and cold copper pipe. Applying sealant to olive as shown in the right hand picture above (installing tee type B507 saddle valve)
23. Tighten to seal using a spanner.
24. Attach the cold (blue braided hose) to your cold water supplier
25. Attached hot (red braided hose) to your hot water supply
26. Tighten all hoses to seal.



## / TEST

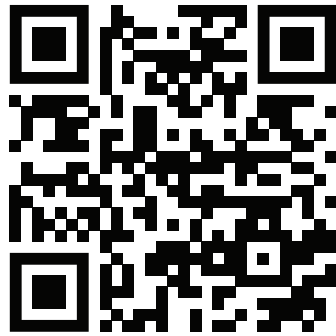
27. Open all the handles on your tap, filtered and hot/cold.
28. If applicable activate the B507 valve by turning the handle to as picture below until it stops.
29. Turn on the mains water supply.
30. Check for leaks.
31. Run water for 2 minutes prior to use.
32. Close tap.
33. Check for leaks again.

You have now successfully installed your new water filter and 3 Way Tap.



## / CARTRIDGE RENEWALS

34. Change LSF140 cartridge every 10,000 litres or every 12 months.
35. To change cartridge simply unscrew cartridge a pull cartridge down. Reverse procedure when fitting the new cartridge. By unscrewing the cartridge you automatically activate the on/off valve within the filter head. There may be a slight water spillage from any water contained within the head.
36. Run water 2 minutes prior to use.



+ 44 (0) 1986 784759  
monarchwater.co.uk  
info@monarchwater.co.uk



SA