

INHIBITOR

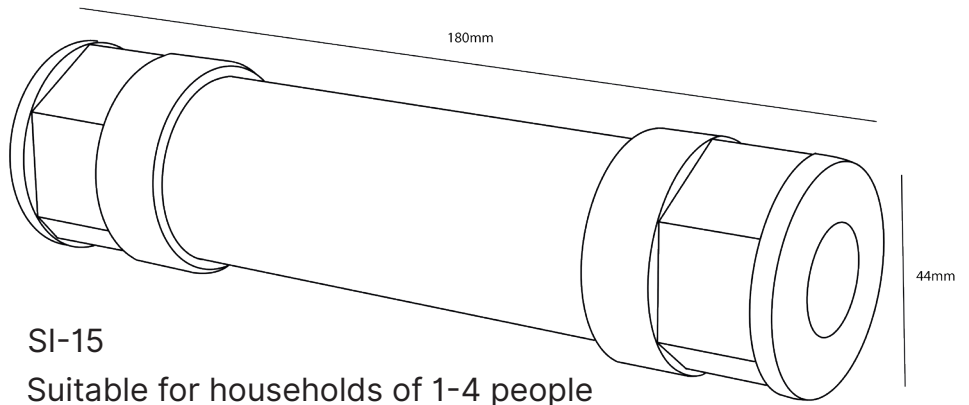
INSTALL GUIDE

SI-15 / SI - 22 / SI - 28

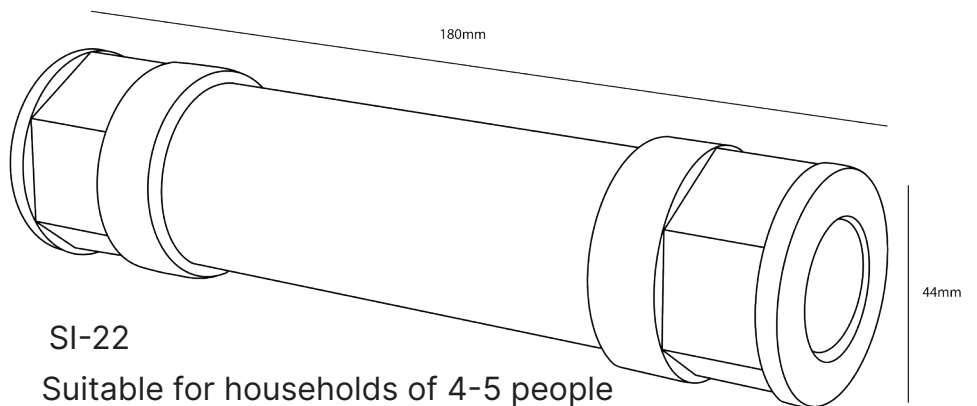
TM
SCALEOUT



EVOLUTION SINCE 1964



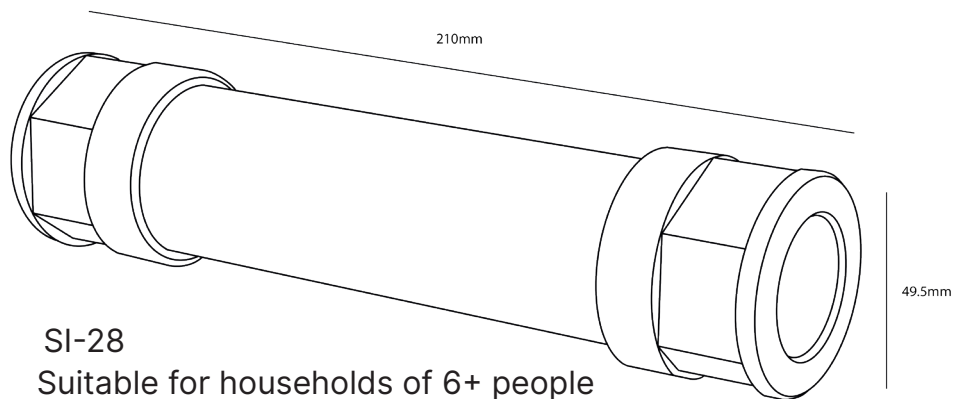
SI-15
Suitable for households of 1-4 people



SI-22
Suitable for households of 4-5 people



Register your warranty here
or visit
monarchwater.co.uk/registration



SI-28
Suitable for households of 6+ people

Model	Length x Ø (mm)	Connection size	Spanner size	Material	Max Pressure (bar)*	Temp Range (°C)	Optimum flow range (lpm)
SI-15	180 x 44	1/2" BSP Parallel Female	38.1mm/ 1/2" AF	Stainless steel	16	2 - 80	4 - 21
SI-22	180 x 44	3/4" BSP Parallel Female	38.1mm/ 1/2" AF	Stainless steel	16	2 - 80	18 - 41
SI-28	210 x 49.5	1" BSP Parallel Female	42.87mm/ 1 11/16" AF	Stainless steel	16	2 - 80	34 - 62

*we recommend a PLV for all water pressures over 5 bar.

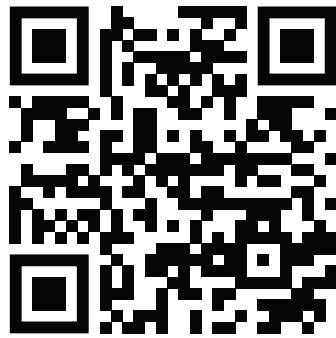
/ INSTALLATION INSTRUCTIONS

Ensure the water flow direction matches that of the flow direction on the Scaleout Inhibitor. Failure to do so will prevent effective treatment and cause excessive pressure losses in the system.

We recommend up to two metres of free piping between the inhibitor and any appliance it is treating.

If metal connection fittings are used, earth cross-bonding is not required.

1. Ensure water supply is isolated and system is drained by opening up any tap in the house until the water flow ceases.
2. Using the appropriate fittings to connect to the pipework measure and remove the equivalent length of pipework at the desired installation location. Some water will escape from the system during this process.
3. With the fittings connected insert the Scaleout Inhibitor into the system ensuring the fittings are tightened at both ends. For additional security, Fernox LS-X or Loctite SI 5331 must be used. Simply apply to male thread of adaptor and to the inside of female thread of the unit.
4. Tighten all joints to seal. With the Scaleout Inhibitor now fitted, turn on the supply slowly, checking for any leaks as pressure is restored.



+ 44 (0) 1986 784759
monarchwater.co.uk
info@monarchwater.co.uk



SI