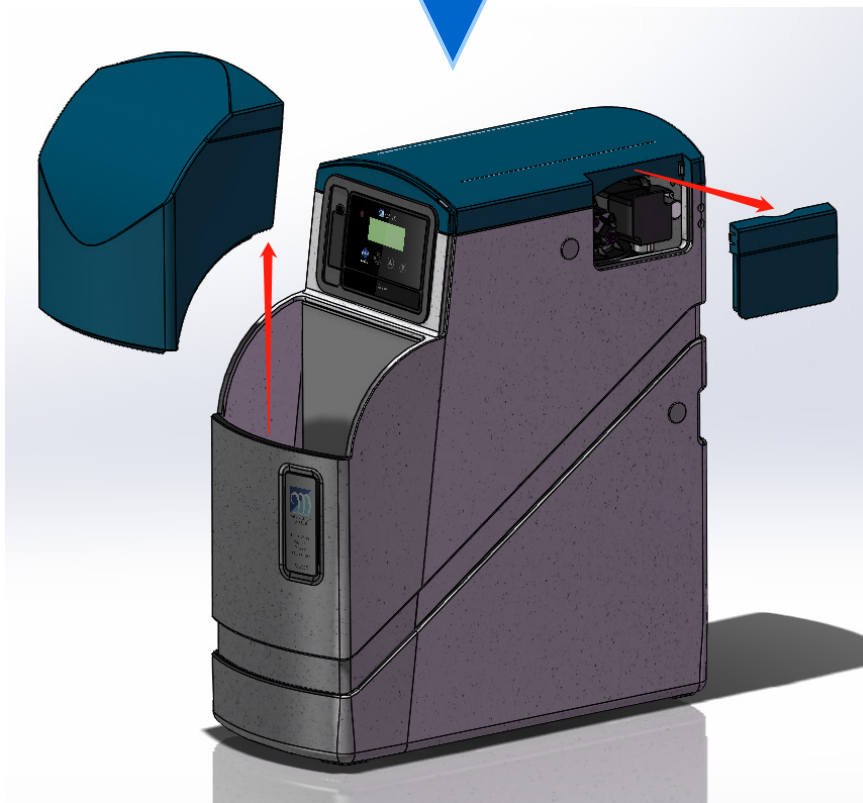
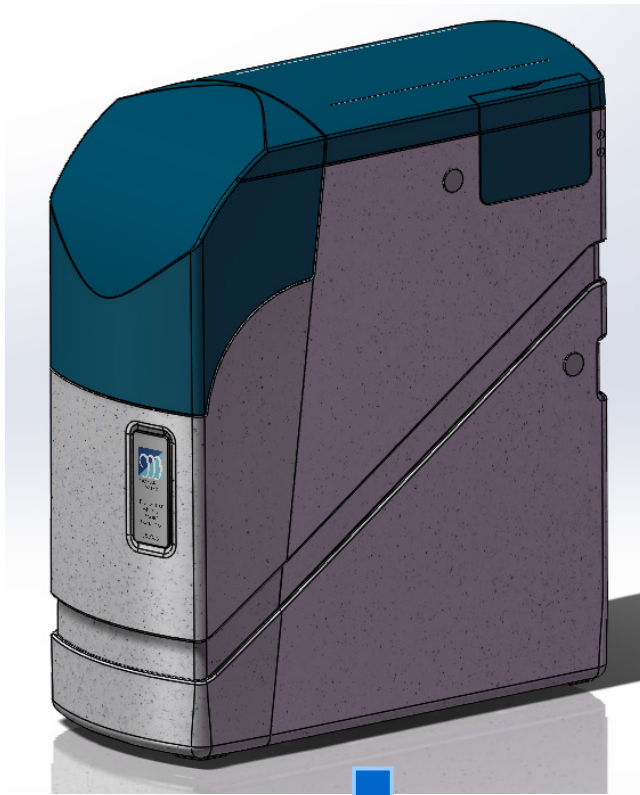
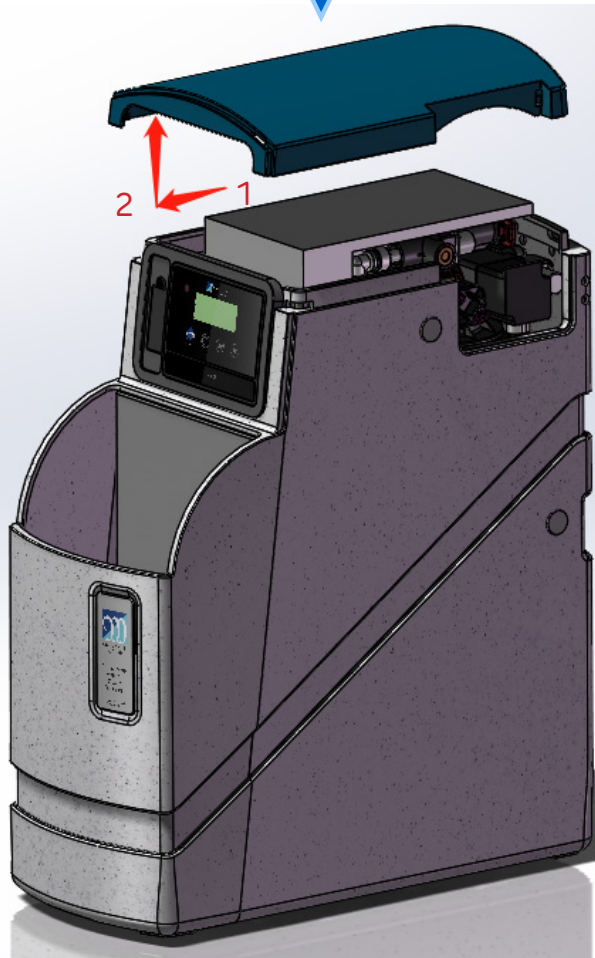
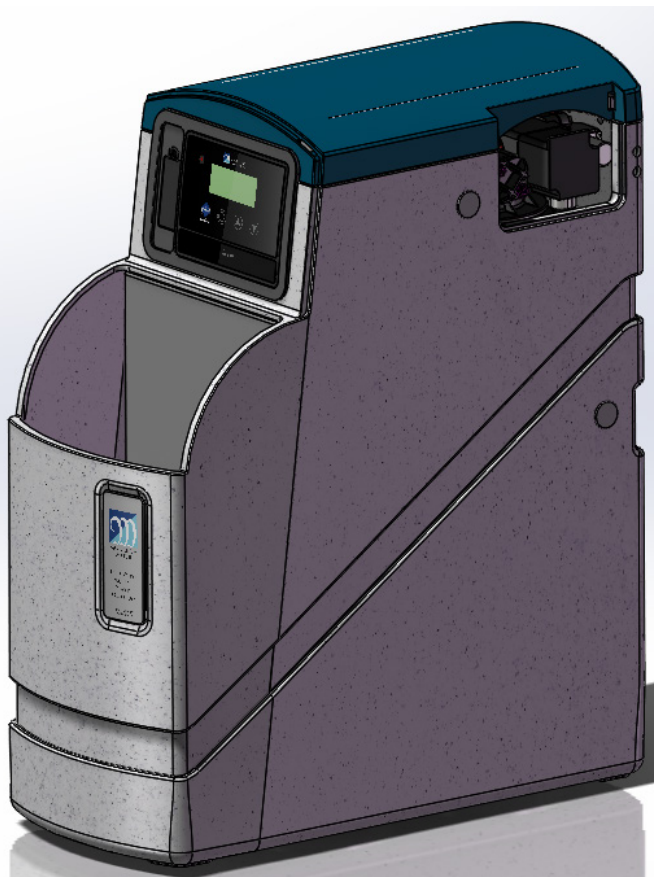


/ REVERSIBLE CONNECTIONS GUIDE

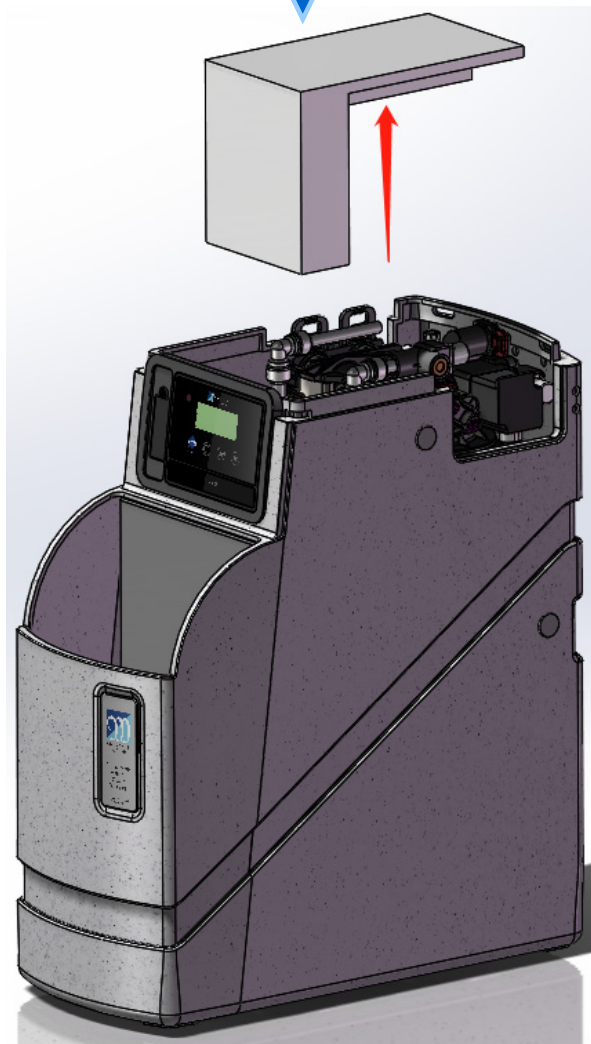
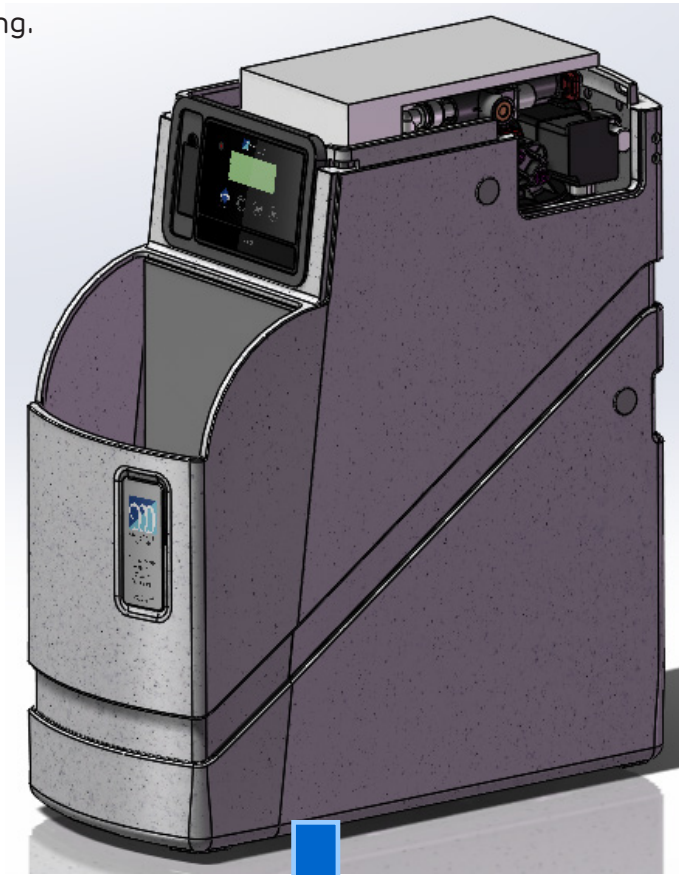
Remove salt lid and side access panel.



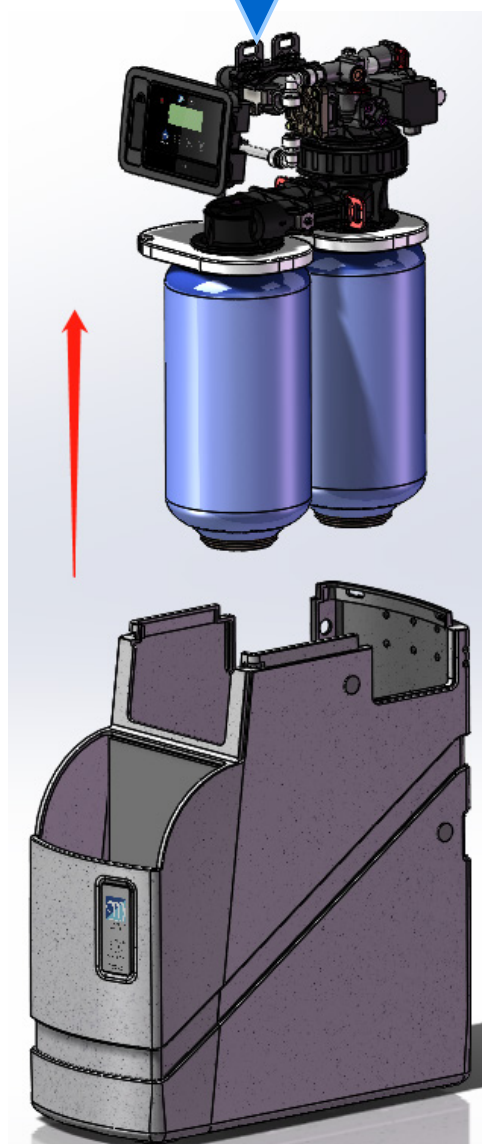
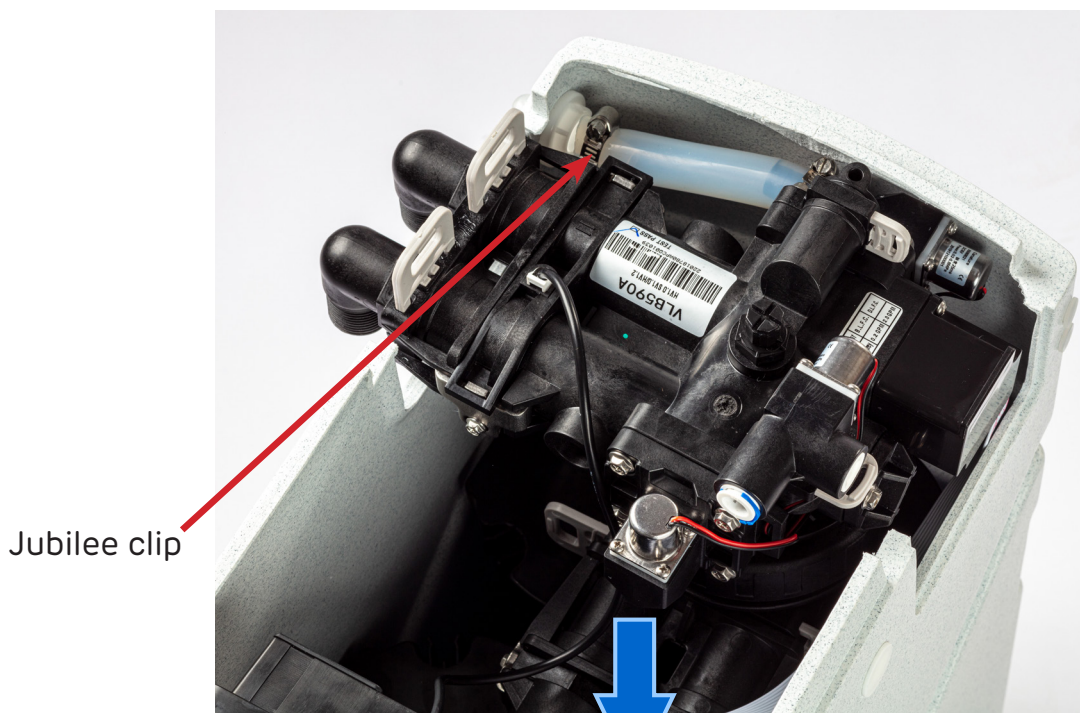
Remove top cover.

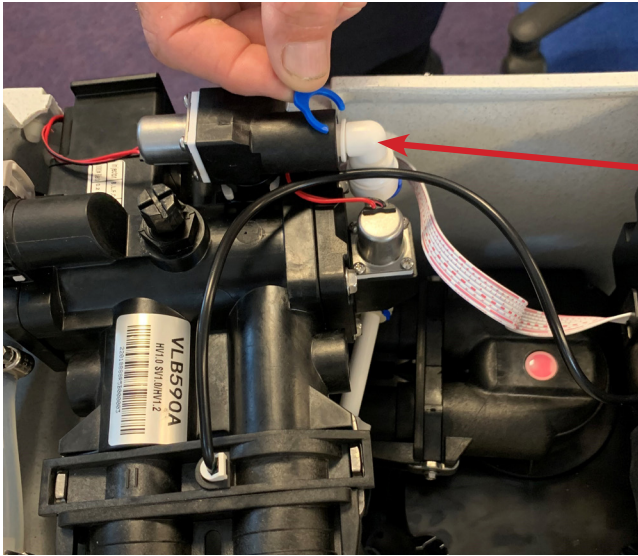


Remove any internal packaging.

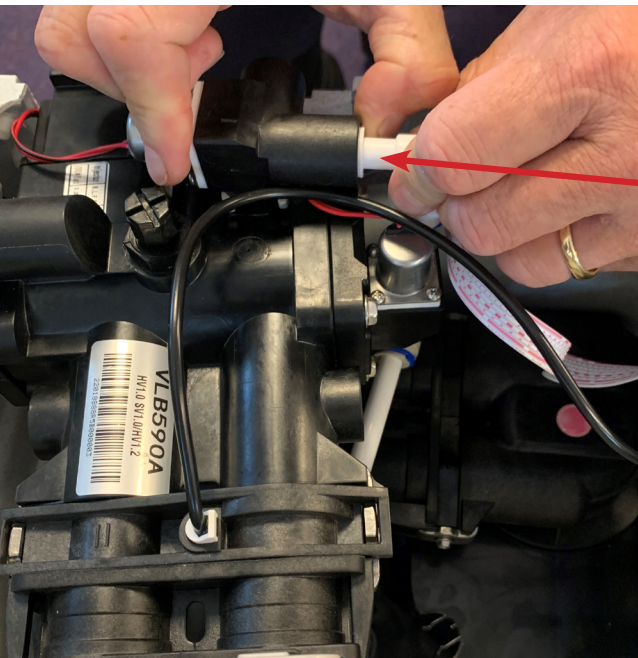


Loosen the jubilee clip and disconnect the drain tubing from the elbow inside the cabinet.
Then remove the complete unit.

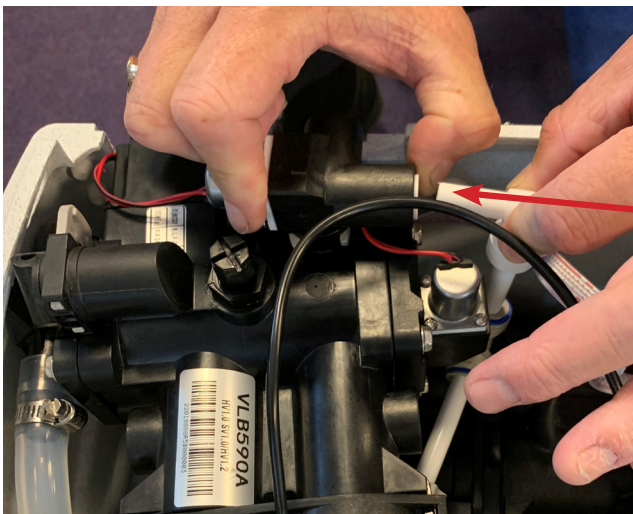




Remove the blue clip

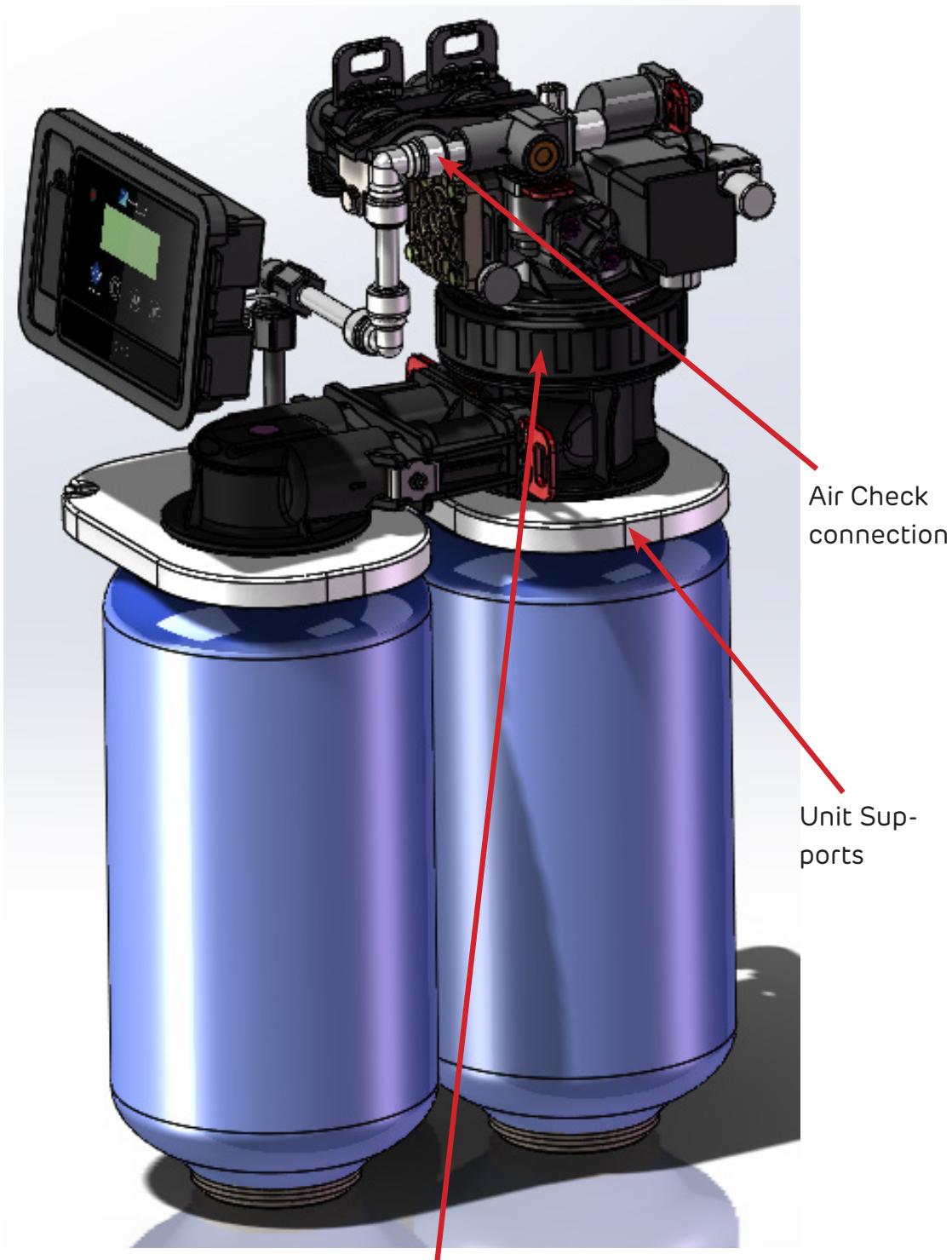


Push-fit connection



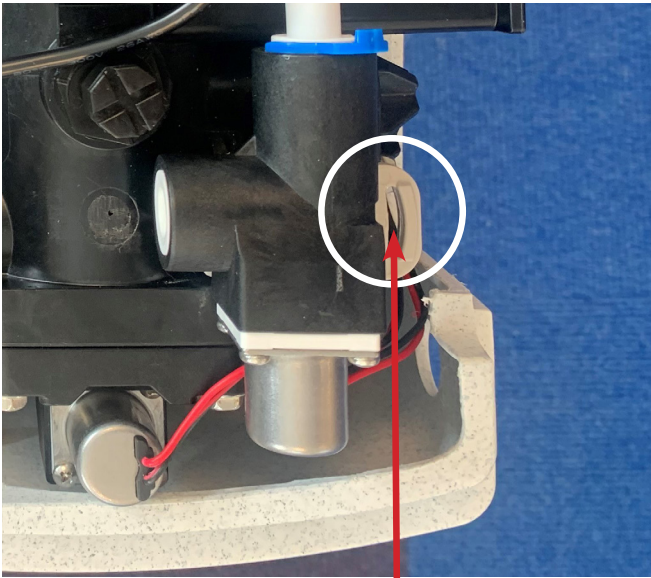
Release tubing

Twist the unit supports at the top of the vessels 180 degrees.



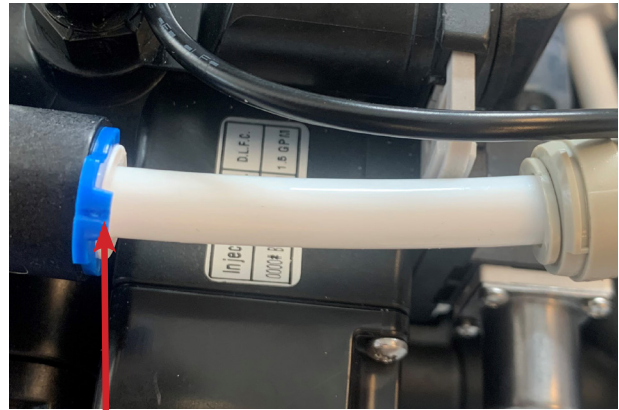
Undo the large nut at the base of the main valve body, take out the valve and twist 180 degrees until the connections are on the other side.

Retighten the large nut to secure the valve in place.



Remove the small grey clip from the air check connector.

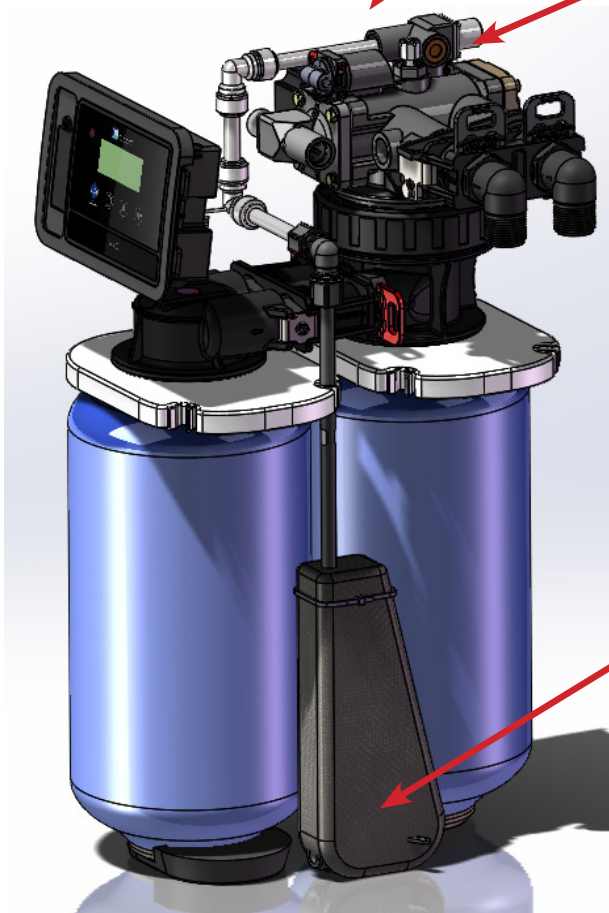
Remove the connector and rotate 180 degrees.



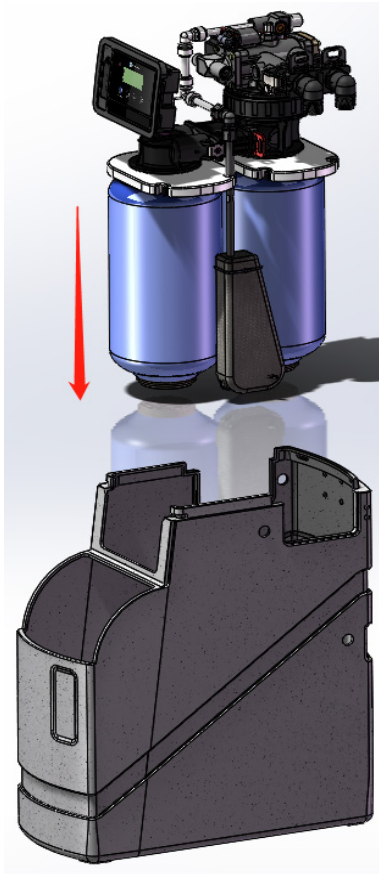
Using the supplied fittings and tubing (8cm), attach the air check to the valve, using the push-fit connector and placing the blue clip back on (as pictured).

Supplied tubing connection (8cm)

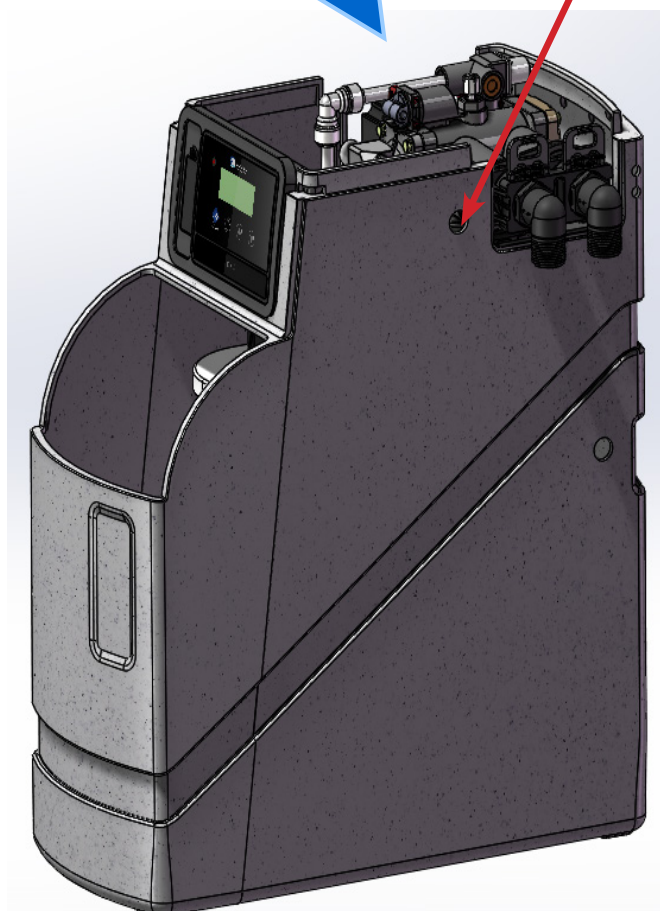
Air check connector



Air Check



Remove the drain elbow from the side of the cabinet and place it on the opposite side.



Slide the unit back into the cabinet then reattach the tube using the jubilee clip (this can only be done once it is in the cabinet). Ensure the drain hose is not kinked.

Finally, put the top cover, salt lid and side panel back into place.