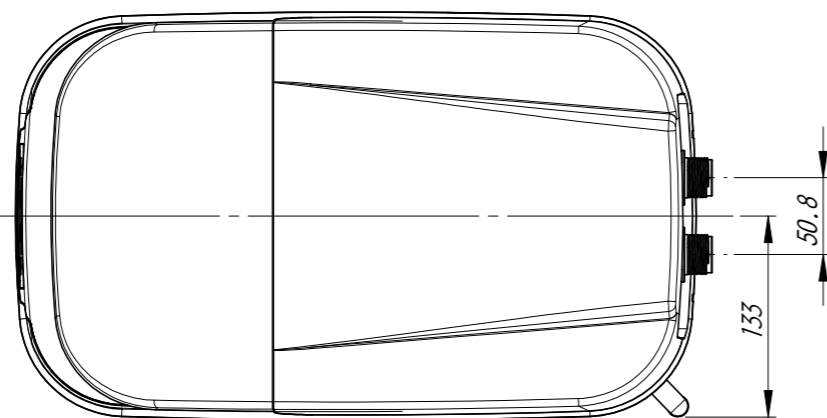
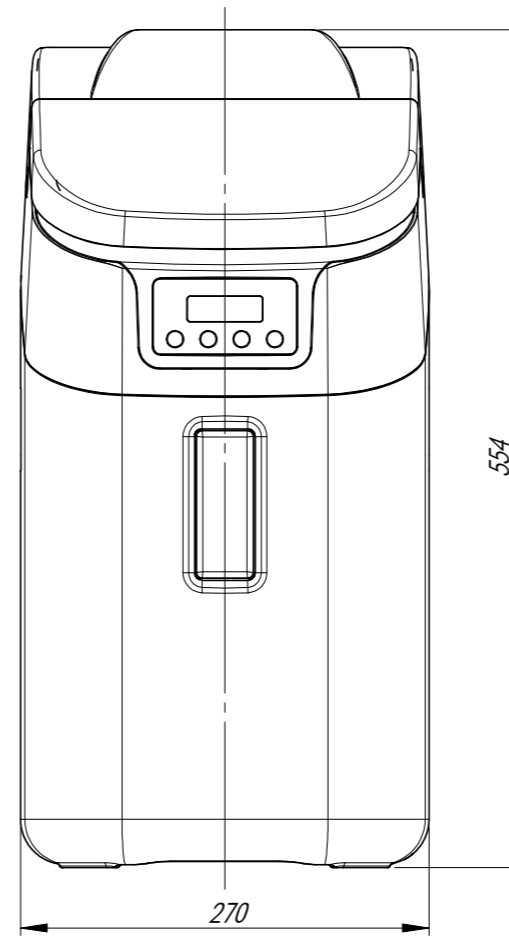
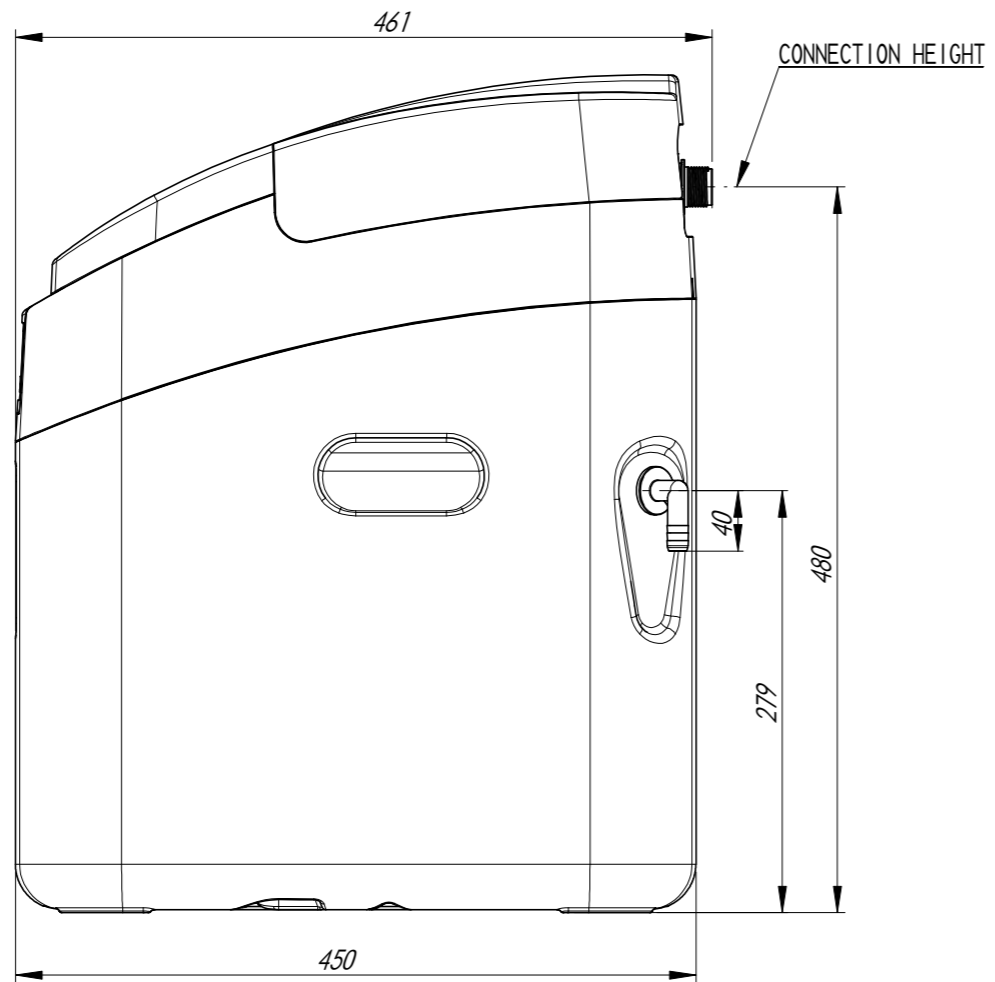
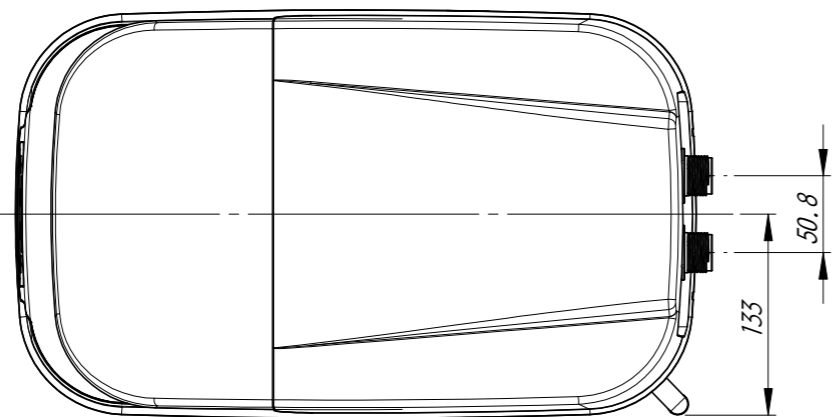
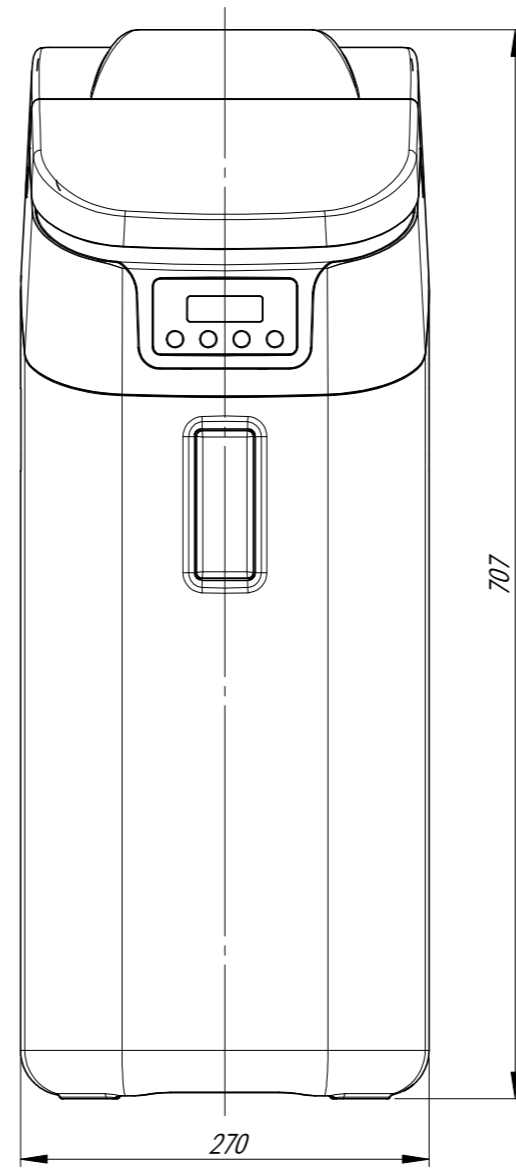
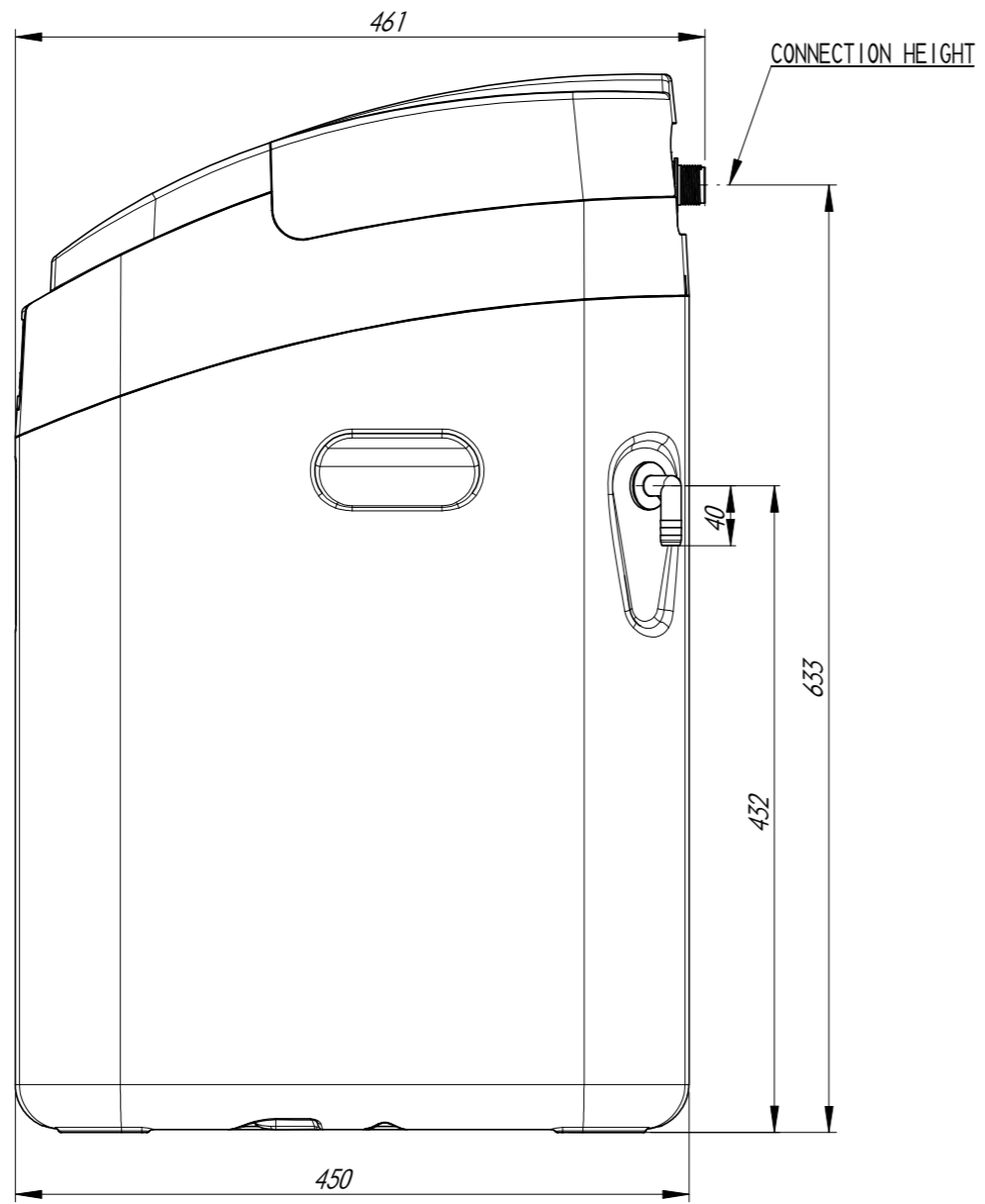
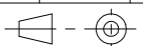


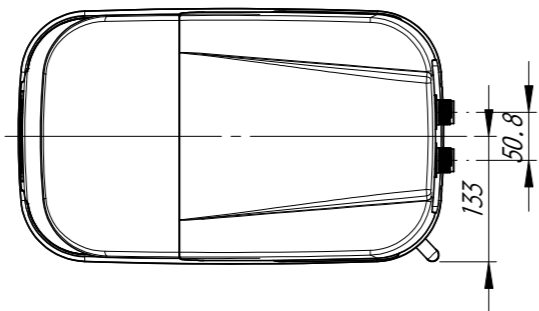
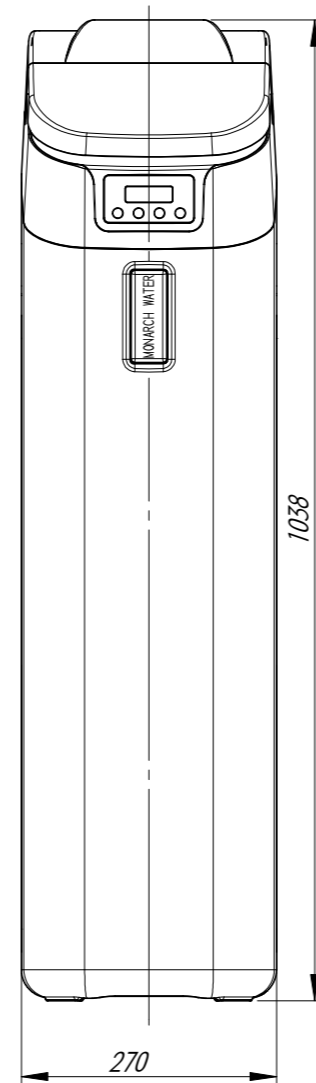
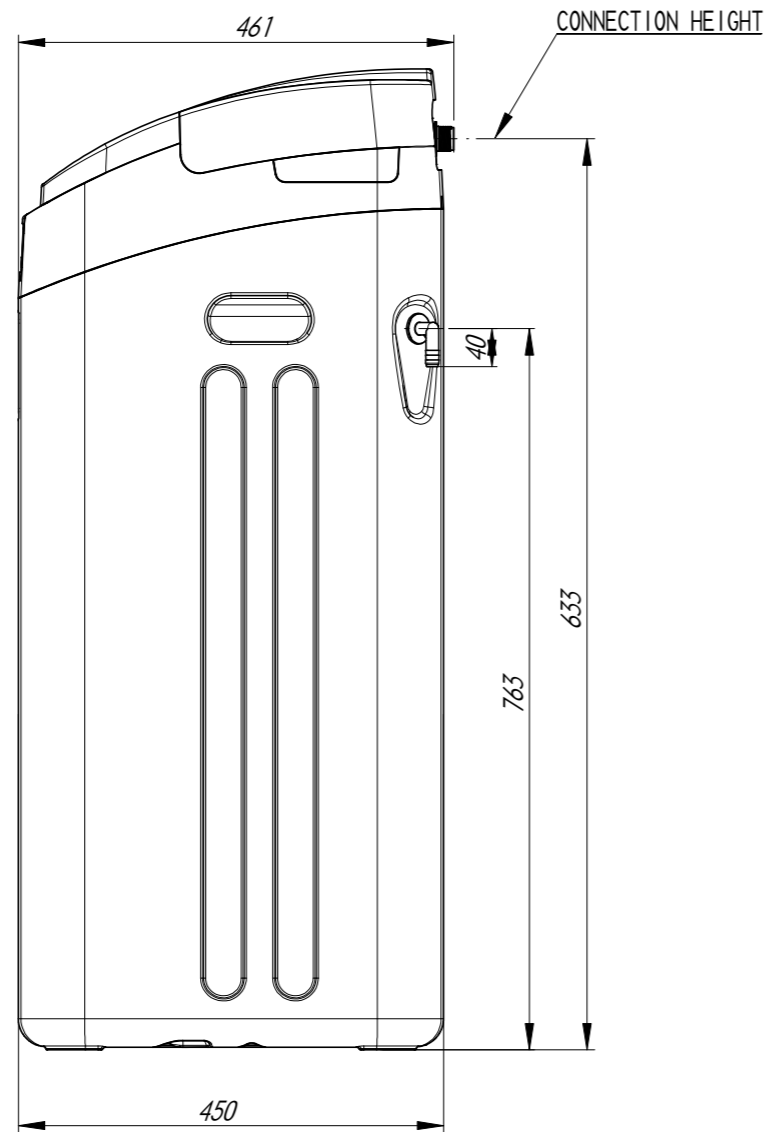
					NEXT GENERATION HIGH EFFICIENCY (HE)			MONARCH WATER
								CS100 HE
MARKER	PCS	REV. NO	SIGNATURE	DATE	STAGE REMARK	NUMBER/SET	SCALE	
DESIGNER		TECHNOLOGIST			S	1	1:5	
		STANDARD			PROJECTION			SOURCING FROM
INSPECTION		AUTHORIZATION			TOTAL PAGES: 1 PAGE NO. 1			ZZ



					NEXT GENERATION HIGH EFFICIENCY (HE)			MONARCH WATER
								CS150 HE
MARKER	PCS	REV. NO	SIGNATURE	DATE	STAGE REMARK	NUMBER/SET	SCALE	
DESIGNER		TECHNOLOGIST			S	1	1:5	
		STANDARD			PROJECTION			SOURCING FROM
INSPECTION		AUTHORIZATION			TOTAL PAGES: 1 PAGE NO. 1			ZZ



					NEXT GENERATION HIGH EFFICIENCY (HE)			MONARCH WATER
								CS200 HE
MARKER	PCS	REV. NO.	SIGNATURE	DATE	STAGE	REMARK	NUMBER/SET	SCALE
DESIGNER			TECHNOLOGIST		S		1	1:5
			STANDARD		PROJECTION 			SOURCING FROM
INSPECTION			AUTHORIZATION		TOTAL PAGES: 1 PAGE NO. 1			ZZ



					NEXT GENERATION HIGH EFFICIENCY (HE)			MONARCH WATER
								CS300 HE
MARKER	PCS	REV. NO	SIGNATURE	DATE	STAGE REMARK	NUMBER/SET	SCALE	
DESIGNER			TECHNOLOGIST		S	1	1:8	
			STANDARD		PROJECTION			SOURCING FROM
INSPECTION			AUTHORIZATION		TOTAL PAGES: PAGE NO. 1			ZZ