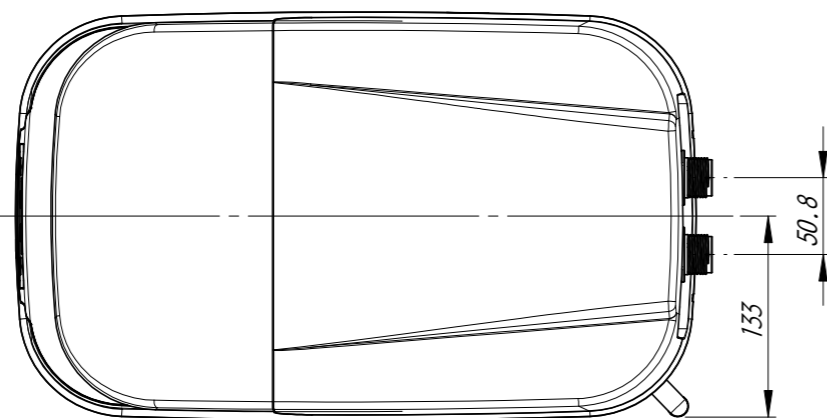
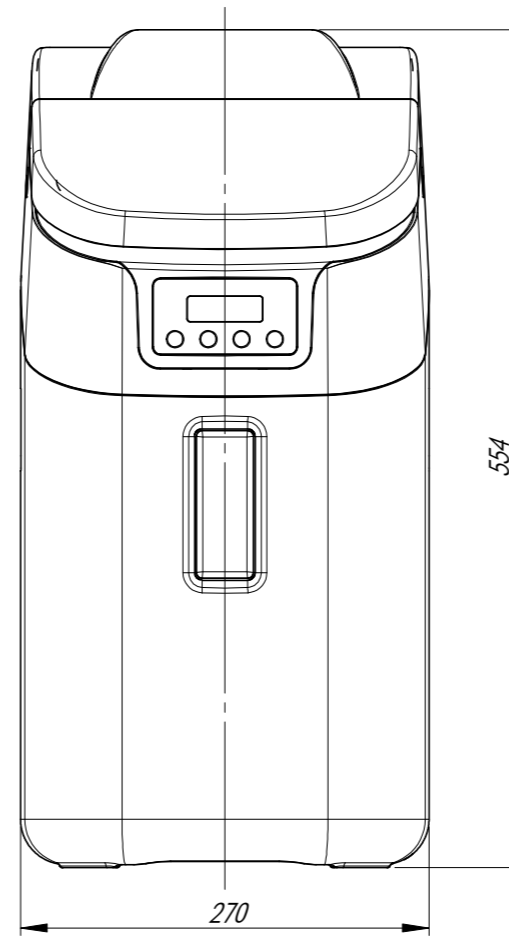
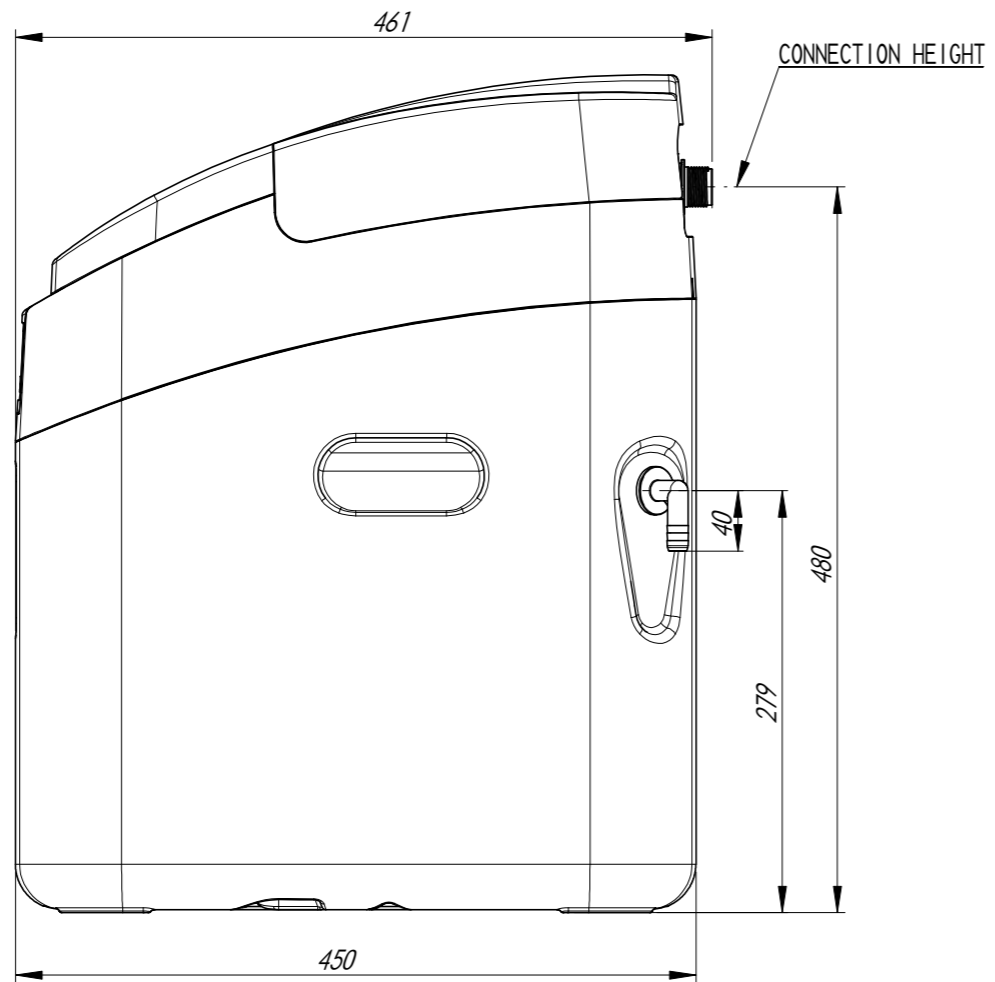
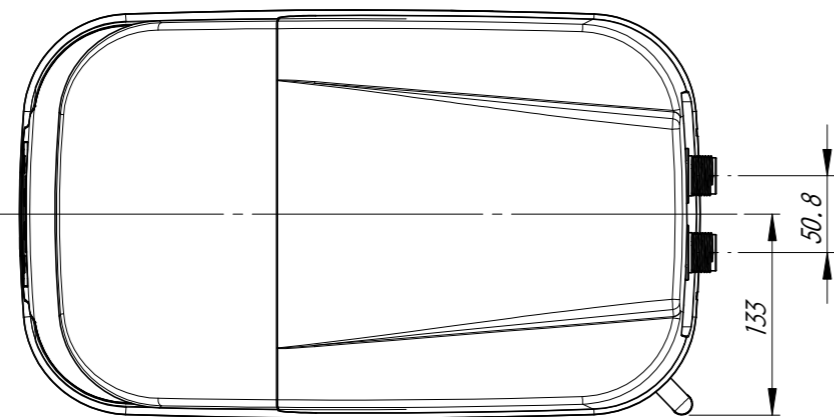
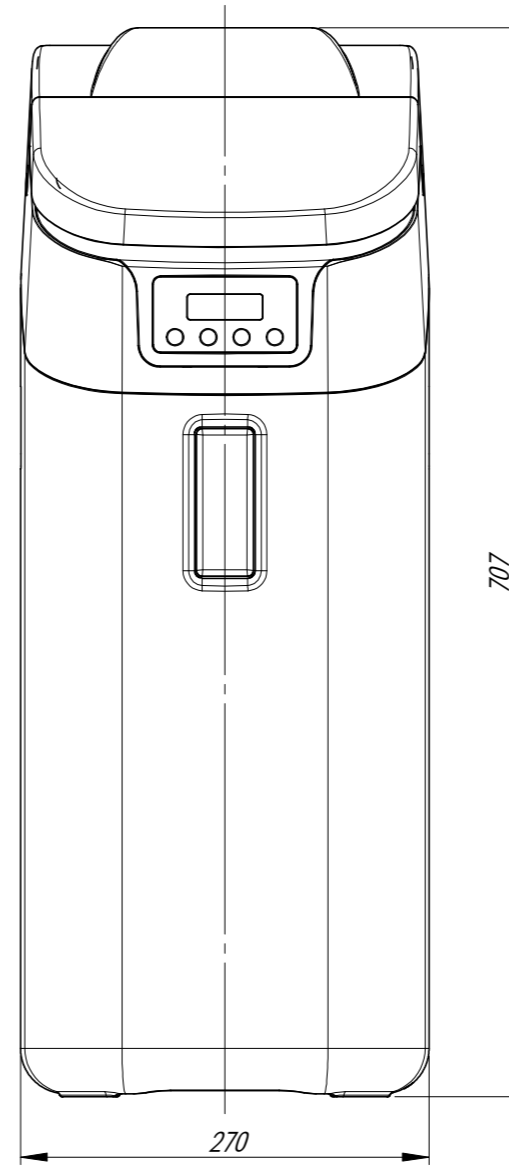
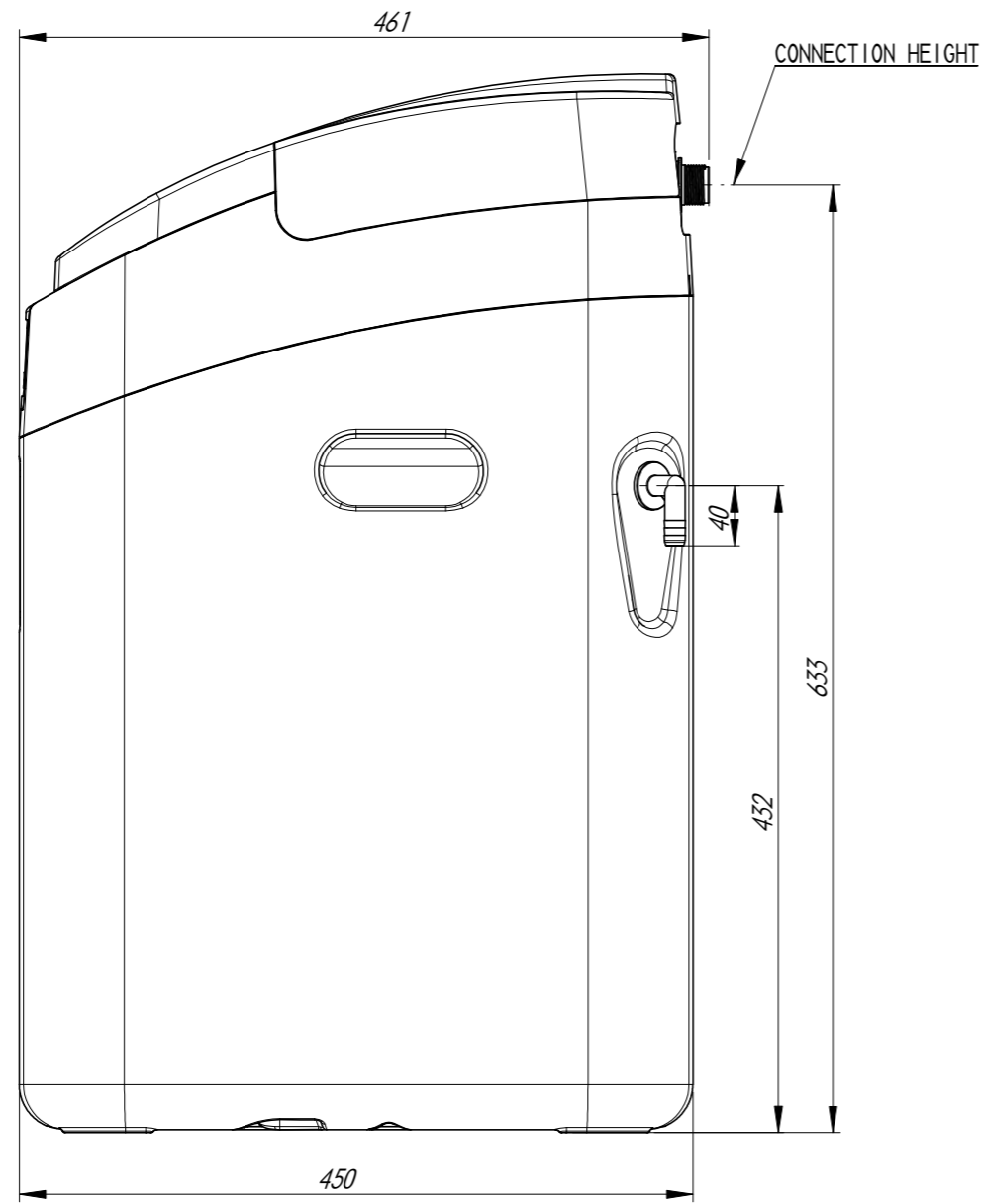


					NEXT GENERATION HIGH EFFICIENCY (HE)			MONARCH WATER
								CS100 HE
MARKER	PCS	REV. NO	SIGNATURE	DATE	STAGE REMARK	NUMBER/SET	SCALE	
DESIGNER			TECHNOLOGIST		S	1	1:5	
			STANDARD		PROJECTION			SOURCING FROM
INSPECTION			AUTHORIZATION		TOTAL PAGES: 1 PAGE NO. 1			ZZ

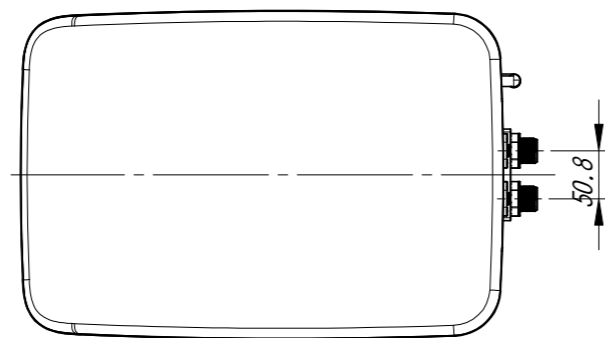
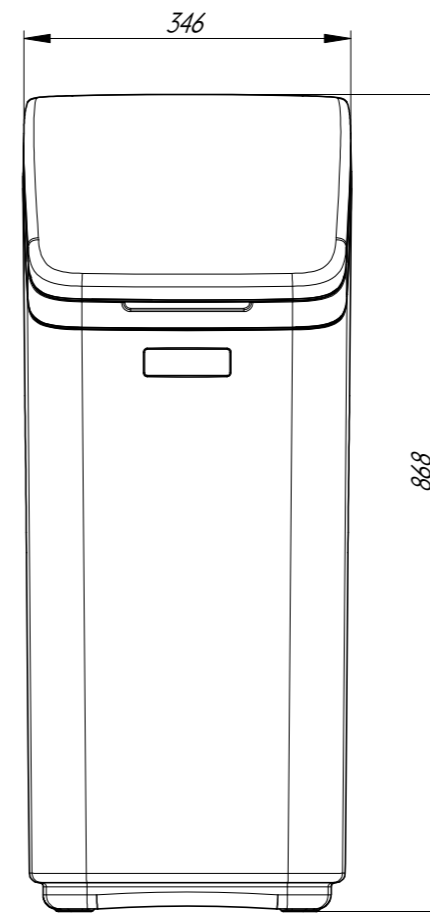
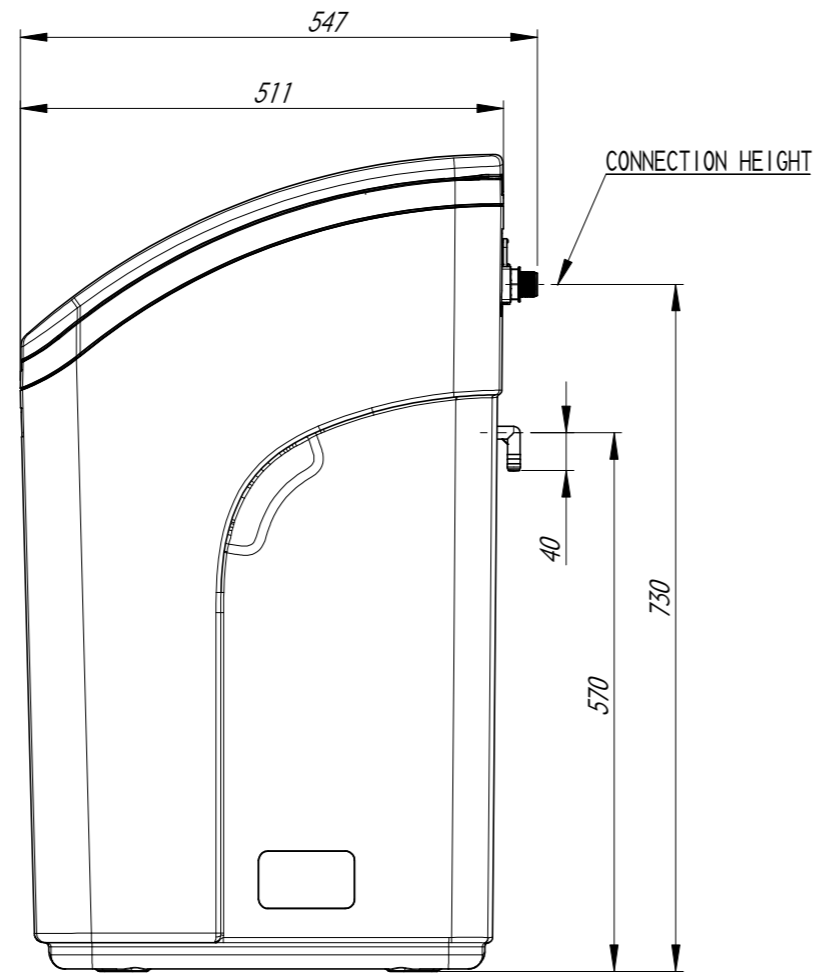


					NEXT GENERATION HIGH EFFICIENCY (HE)			MONARCH WATER
								CS150 HE
MARKER	PCS	REV. NO	SIGNATURE	DATE	STAGE REMARK	NUMBER/SET	SCALE	
DESIGNER			TECHNOLOGIST		S	1	1:5	
			STANDARD		PROJECTION			SOURCING FROM
INSPECTION			AUTHORIZATION		TOTAL PAGES: 1 PAGE NO. 1			ZZ

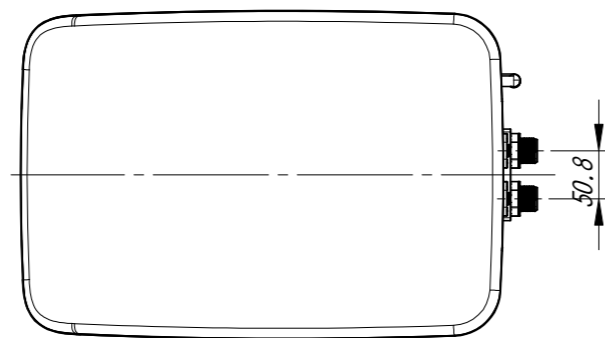
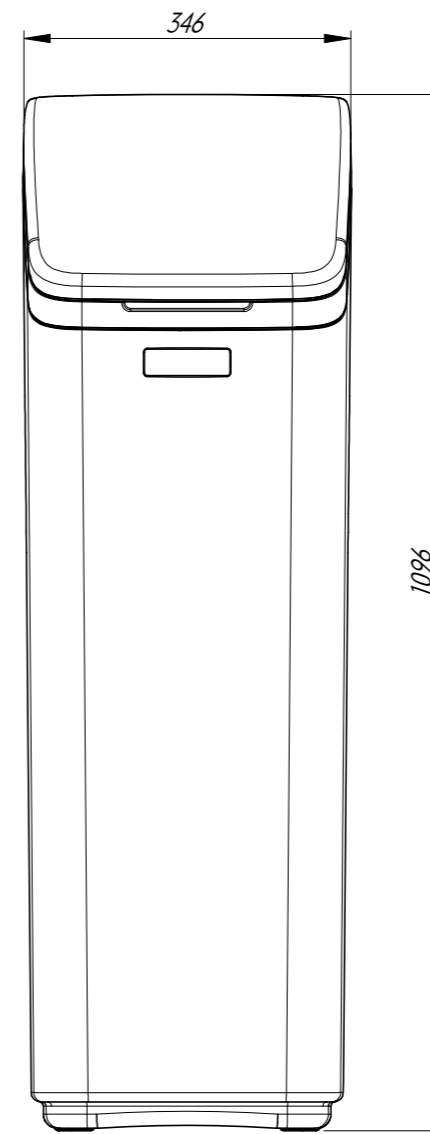
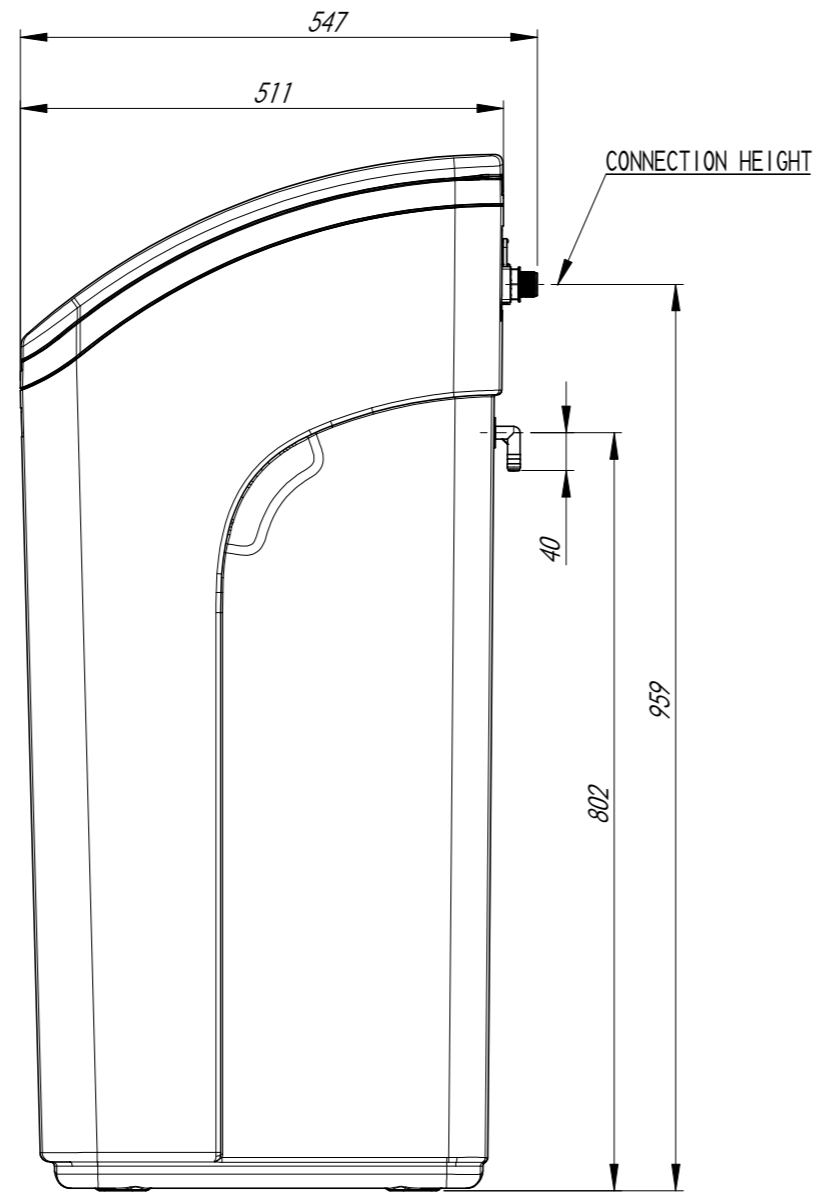


					NEXT GENERATION HIGH EFFICIENCY (HE)			MONARCH WATER
								CS200 HE
MARKER	PCS	REV. NO	SIGNATURE	DATE	STAGE	REMARK	NUMBER/SET	SCALE
DESIGNER			TECHNOLOGIST		S		1	1:5
			STANDARD		PROJECTION			SOURCING FROM
INSPECTION			AUTHORIZATION		TOTAL PAGES: 1 PAGE NO. 1			ZZ





					NEXT GENERATION HIGH EFFICIENCY (HE)			MONARCH WATER	
								GS4000 FS	
MARKER	PCS	REV. NO	SIGNATURE	DATE	STAGE REMARK	NUMBER/SET	SCALE		
DESIGNER		TECHNOLOGIST			A	1	1:8		
		STANDARD			PROJECTION			SOURCING FROM	ZZ
INSPECTION		AUTHORIZATION			TOTAL PAGES: 1 PAGE NO. 1				



					NEXT GENERATION HIGH EFFICIENCY (HE)			MONARCH WATER	
								GS6000 FS	
MARKER	PCS	REV. NO	SIGNATURE	DATE	STAGE REMARK	NUMBER/SET	SCALE		
DESIGNER		TECHNOLOGIST			A	1	1:8		
		STANDARD			PROJECTION			SOURCING FROM	ZZ
INSPECTION		AUTHORIZATION			TOTAL PAGES: 1 PAGE NO. 1				