

# BYPASSING YOUR WATER SOFTENER

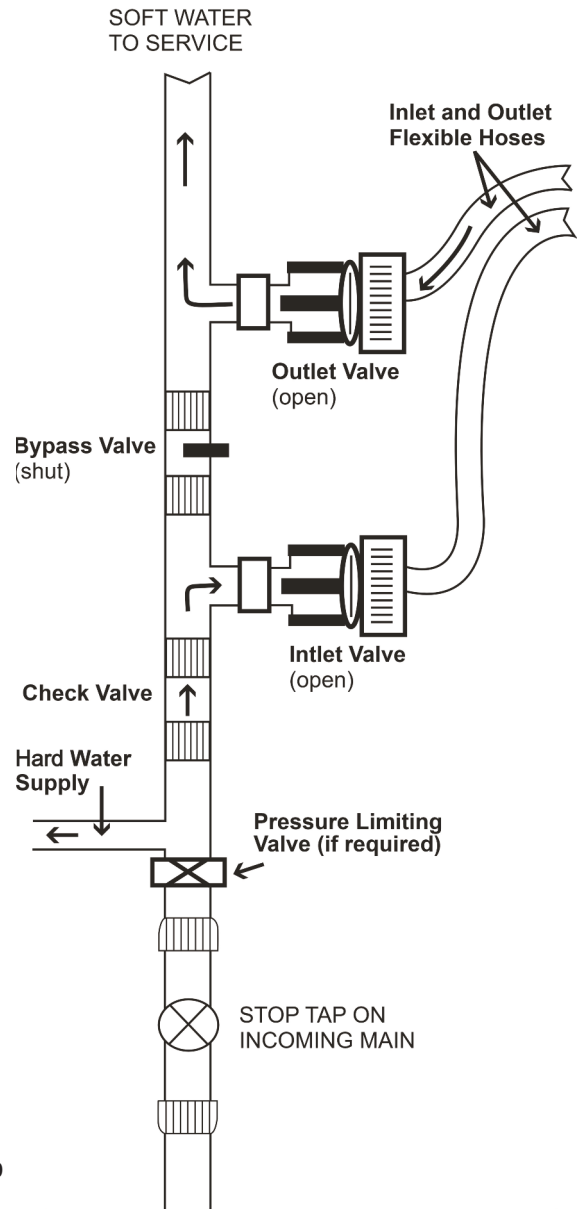
## NORMAL SERVICE POSITION

The picture to the right and below shows the water softener in the normal Service position i.e.

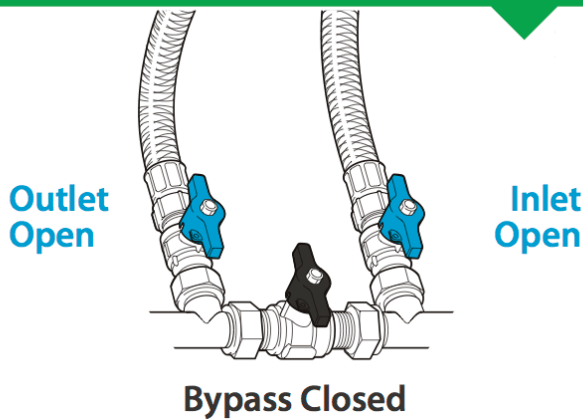
**Inlet Valve:** This valve is Open when the blue handle is parallel to the sides of the isolating valve that has the hose connected to it.

**Outlet Valve:** This valve is Open when the blue handle is parallel to the sides of the isolating valve that has the hose connected to it.

**Bypass Valve:** This valve is Closed when either a Black handle or Screwdriver slot is at 90degrees to the isolating valve connected in the copper pipe work.



## SOFTENER TURNED ON



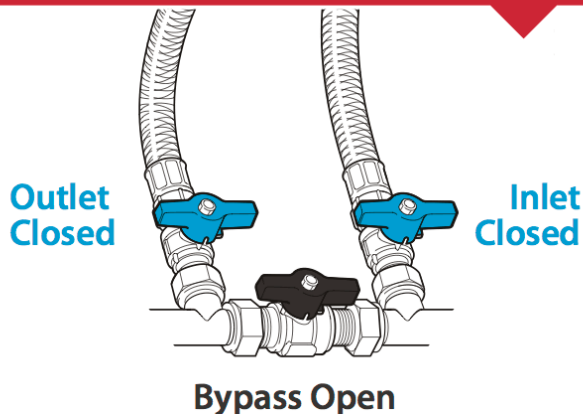
## BYPASSING YOUR WATER SOFTENER - (see pic below)

**Inlet Valve:** Turn blue handle 90 degrees so it closes the flow of water through this valve.

**Outlet Valve:** Turn blue handle 90 degrees so it closes the flow of water through this valve also.

**Bypass Valve:** Turn Black handle or Screwdriver slot 90 degrees so that it is now parallel to the sides of the isolating valve, this will then open this valve and allow water through to your system.

## SOFTENER TURNED OFF



Suppliers to H.M. the Queens Estate at Sandringham