

 MONARCH WATER

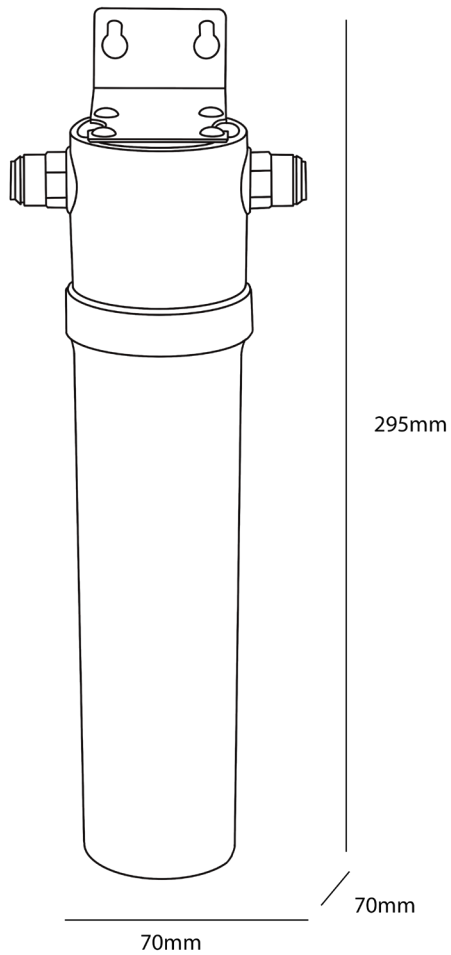
MA12CH

INSTALL GUIDE
CARBON BLOCK FILTER

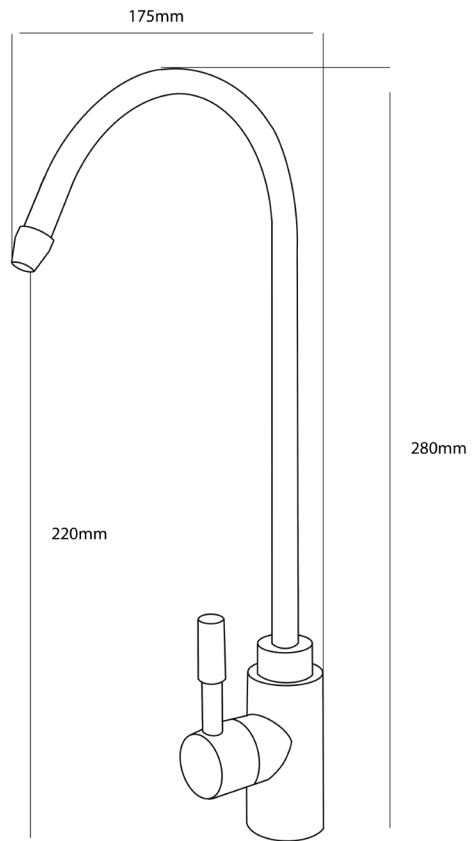
WATER FILTER



EVOLUTION SINCE 1964



MA12CH



MONARCH TAP

Model	Dims H x W x D (mm)	Capacity (Litres @ 180ppm)	Max Flow Rate (lpm)	Water Pressure (bar)	Connection
MA12CH	295 x 70 x 70	6,000	5	2 - 5.5	3/8" speedfit

/ CAREFULLY SELECT THE POSITIONS FOR

1. Drinking water tap – allow enough room to turn the tap for tightening. This also applies beneath the sink/worktop when fixing the tap in position.
2. Tee type B507 saddle valve (if used) – allow enough access for your spanner when tightening both connections.
3. Allow sufficient space below the filter when changing the cartridge – recommended 100mm
4. Ensure the ends of the 3/8" tubing is chamfered for every push fit connection before you connect them otherwise a sharp edge may cause damage to the seal.

/ INSTALLING THE MA12CH FILTER

It is recommended to fit the filter vertically using the bracket and screws provided – see picture below. Insert inlet/outlet adaptors provided using PTFE on male thread to seal.



Picture shows the Monarch tap that accompanies the MA12CH Filter.

/ INSTALLING THE TEE TYPE B507 SADDLE VALVE (IF USED)



5. Turn off your mains water supply and relieve the water pressure by opening a mains cold tap.
6. Remove 15mm of mains copper pipe where B507 is to be installed.
7. Screw grey plastic fitting to Tee valve $\frac{3}{4}$ " thread. Tighten to seal.
8. Install Tee valve and apply sealant to olive as shown in the right hand picture above.
9. Connect $\frac{3}{8}$ " tubing to grey speedfit connection by pushing in tube until it stops – approx 1.5cm. A little grease or fairy liquid may help here and remember to chamfer end (max 1mm chamfer).
10. Cut $\frac{3}{8}$ " tubing to length and insert into Inlet connection of filter, again chamfer and allow approx. 1.5cm as above.

/ ALTERNATIVE SUPPLY CONNECTION BY USING RAPID FIT BYPASS.



11. Turn off your water supply and relieve the water pressure by opening a mains cold tap.
12. Remove white seal plug adjacent to SUPPLY IN connection by pushing grey collet tight against Rapid Fit bypass body. Hold collet against body and pull white seal plug out of connection.
13. Insert $\frac{3}{8}$ " tubing into this revealed connection until it stops – approx. 1.5cm
14. Cut $\frac{3}{8}$ " tubing to length and insert into Inlet connection of filter, again chamfer and allow approx. 1.5cm as above.

/ INSTALLING THE TAP

Carefully select the site for your tap, allowing access below the sink/worktop for your spanner. It is sometimes easier to tighten the tap with your hand above the counter before you finally tighten below.

15. Drill the chosen position with a 3/8" drill and fix the tap. It is recommended to dot punch a sink top before actually drilling to prevent your drill from slipping.
16. Connect the grey plastic fitting to the bottom of the tap tail. Insert 3/8" tubing approx 1.5cm until it stops.
17. Connect the remaining end of 3/8" tubing to the Outlet connection of the filter head again by pushing tube into the head until it stops – approx 1.5cm

/ TEST

18. Open the tap by turning handle fully.
19. If applicable activate the B507 valve by turning the handle to as above picture until it stops
20. Turn on the mains water supply
21. Check for leaks.
22. Run water for 2 minutes prior to use.
23. Close tap

/ CARTRIDGE RENEWALS

24. Change MA12CH cartridge every 6,000 litres or every 12 months.
25. To change cartridge simply unscrew cartridge and pull cartridge down. Reverse procedure when fitting the new cartridge. By unscrewing the cartridge you automatically activate the on/off valve within the filter head. There may be a slight water spillage from any water contained within the head.
26. Run water 2 minutes prior to use.



+ 44 (0) 1986 784759
monarchwater.co.uk
info@monarchwater.co.uk

