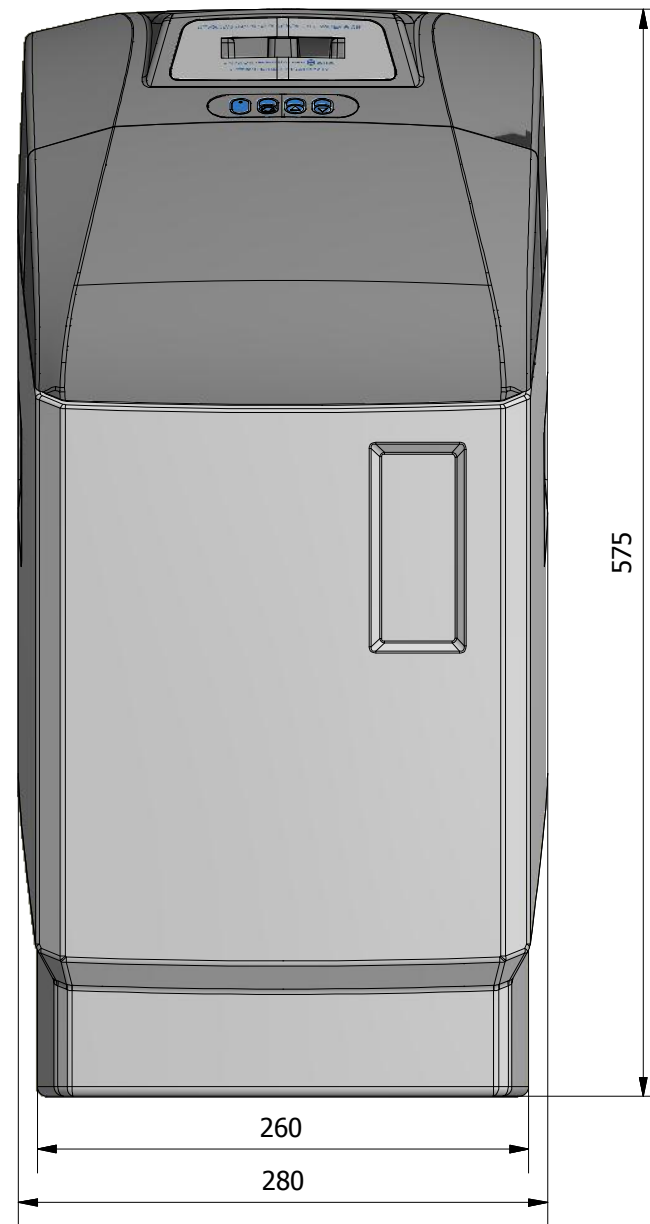
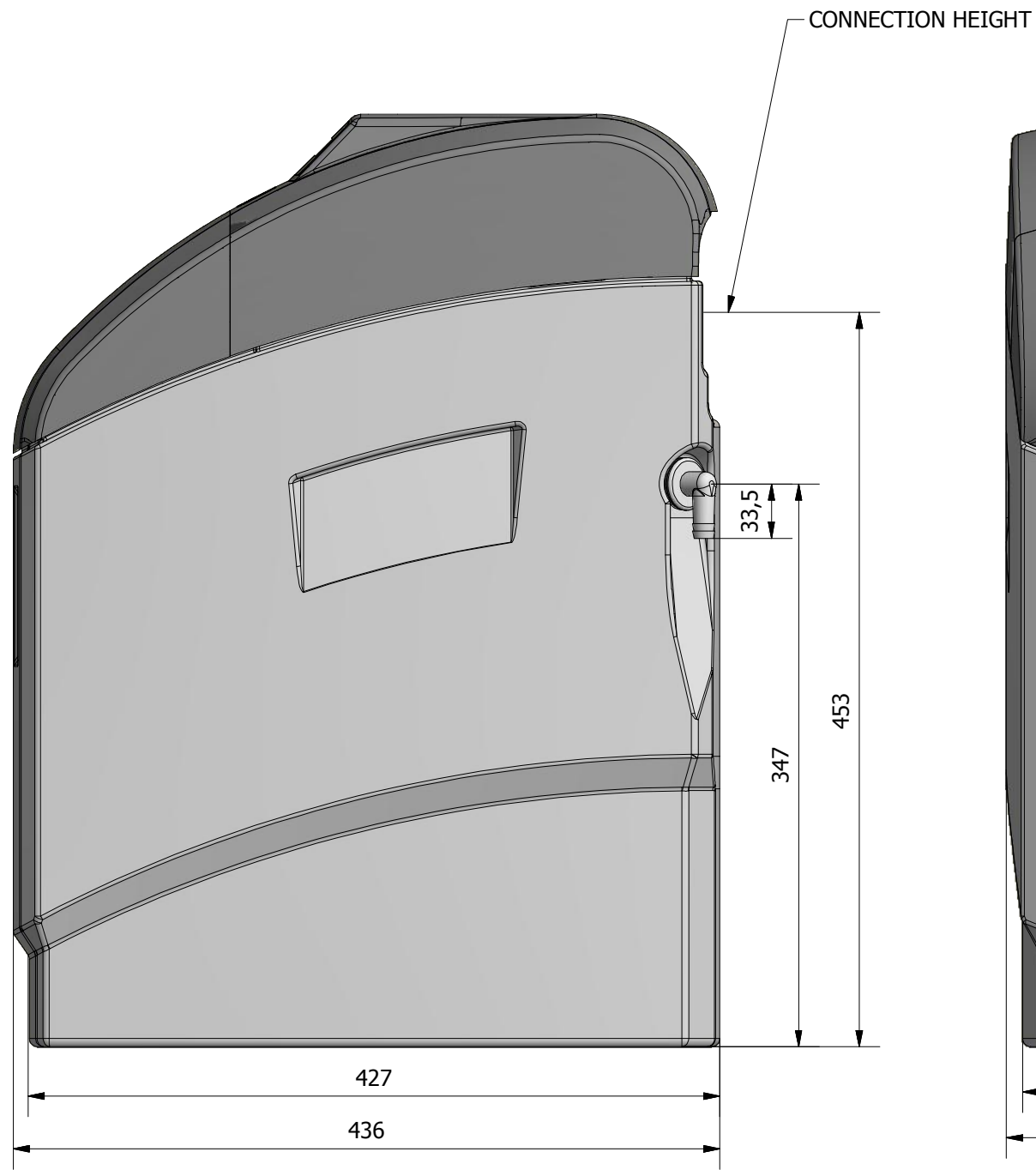
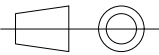


REVISION HISTORY					
REV	BECN#	DESCRIPTION	BY	DATE	CHK
A		RELEASED	DS	18/02/16	



This drawing, design, print or document and the information contained herein is the sole property of Monarch Water and is maintained in the confidence with the understanding that the recipient shall not reproduce, copy, loan or disclose to anyone outside recipients organization directly or indirectly or use for any other purposes than that for which it is submitted.

 TOLERANCES UNLESS OTHERWISE SPECIFIED  ACCORDING TO ISO 3098-1 (ISO GENERAL DIMS - CLASS FINE)	SCALE: 1/4	DRAWN BY: dswerts	DATE: 18/02/2016	CHECK BY:	DATE:	SHEET: 1 OF 1
	SIZE: A3	TITLE: Midi - MIDM002		DRAWING NUMBER: <b>MIDM002</b>		REV#: <b>A</b>
MATERIAL:			DRAWING NUMBER: <b>MIDM002</b>			REV#: <b>A</b>
FINISH:			DRAWING NUMBER: <b>MIDM002</b>			REV#: <b>A</b>