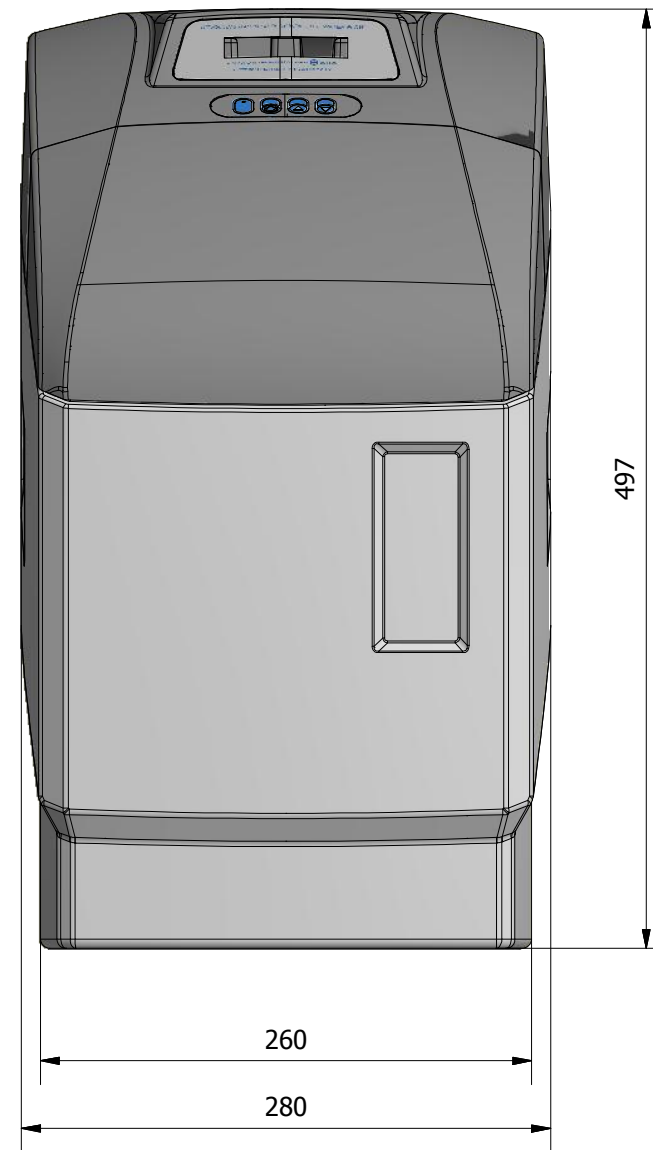
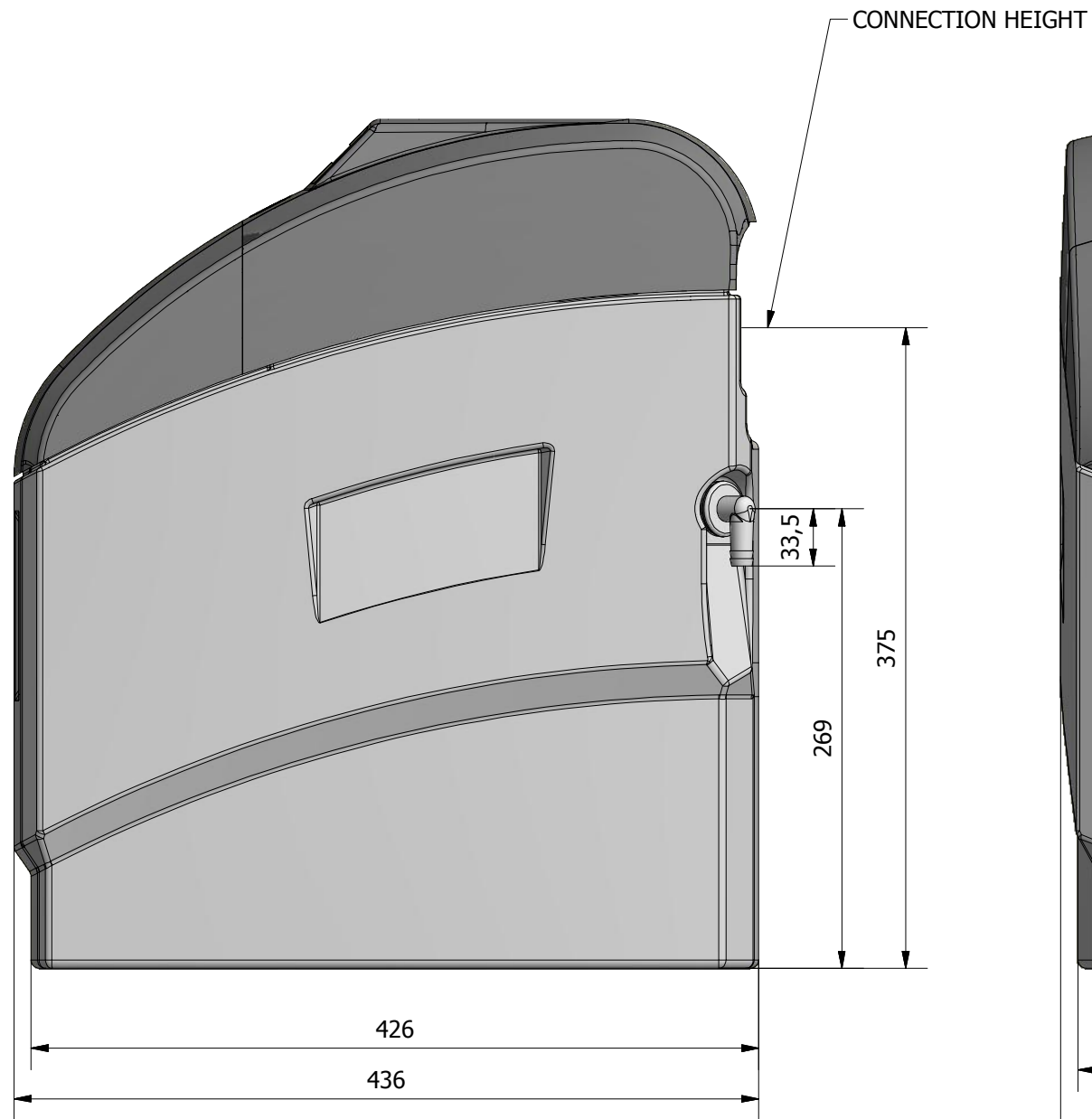
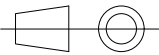


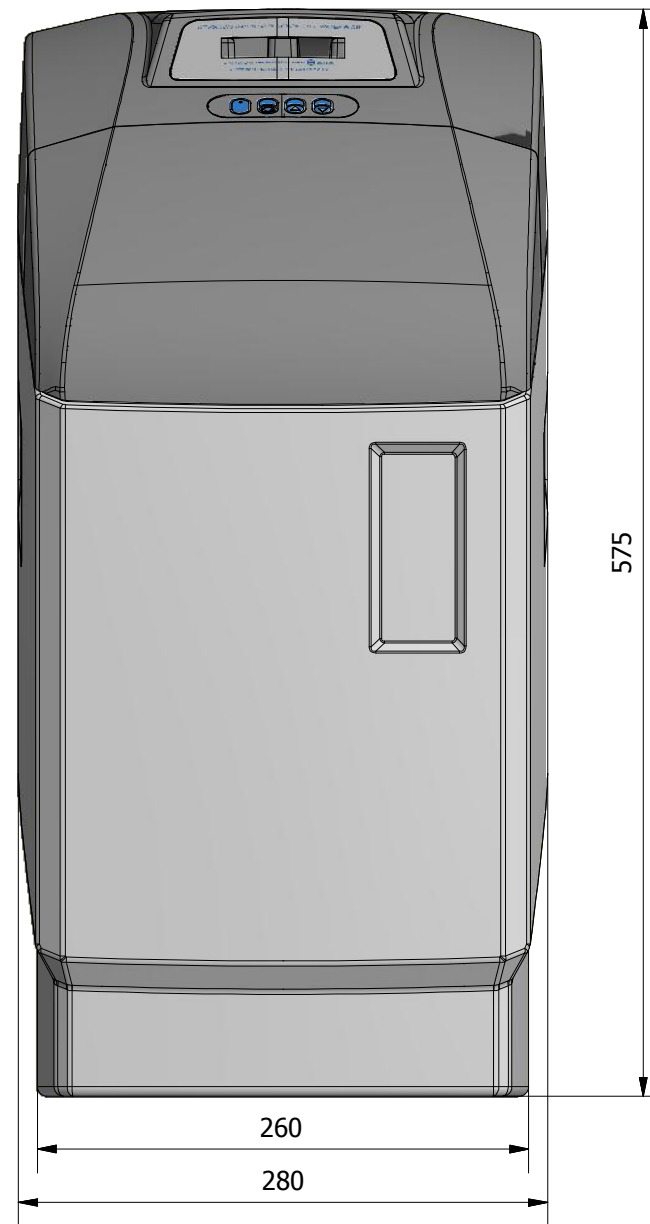
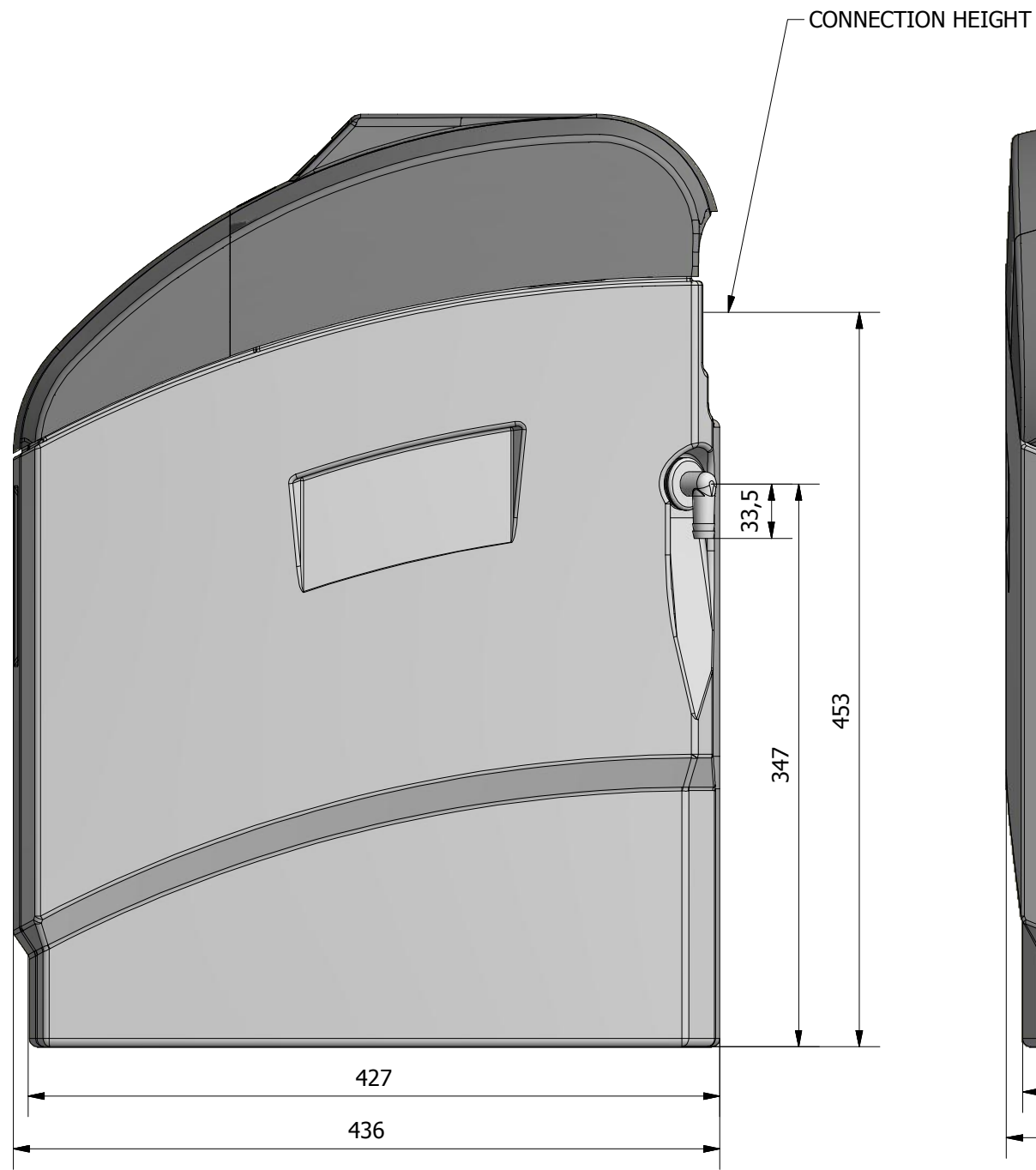
REVISION HISTORY					
REV	BECN#	DESCRIPTION	BY	DATE	CHK
A		RELEASED	DS	18/02/16	



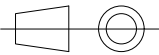
This drawing, design, print or document and the information contained herein is the sole property of Monarch Water and is maintained in the confidence with the understanding that the recipient shall not reproduce, copy, loan or disclose to anyone outside recipients organization directly or indirectly or use for any other purposes than that for which it is submitted.

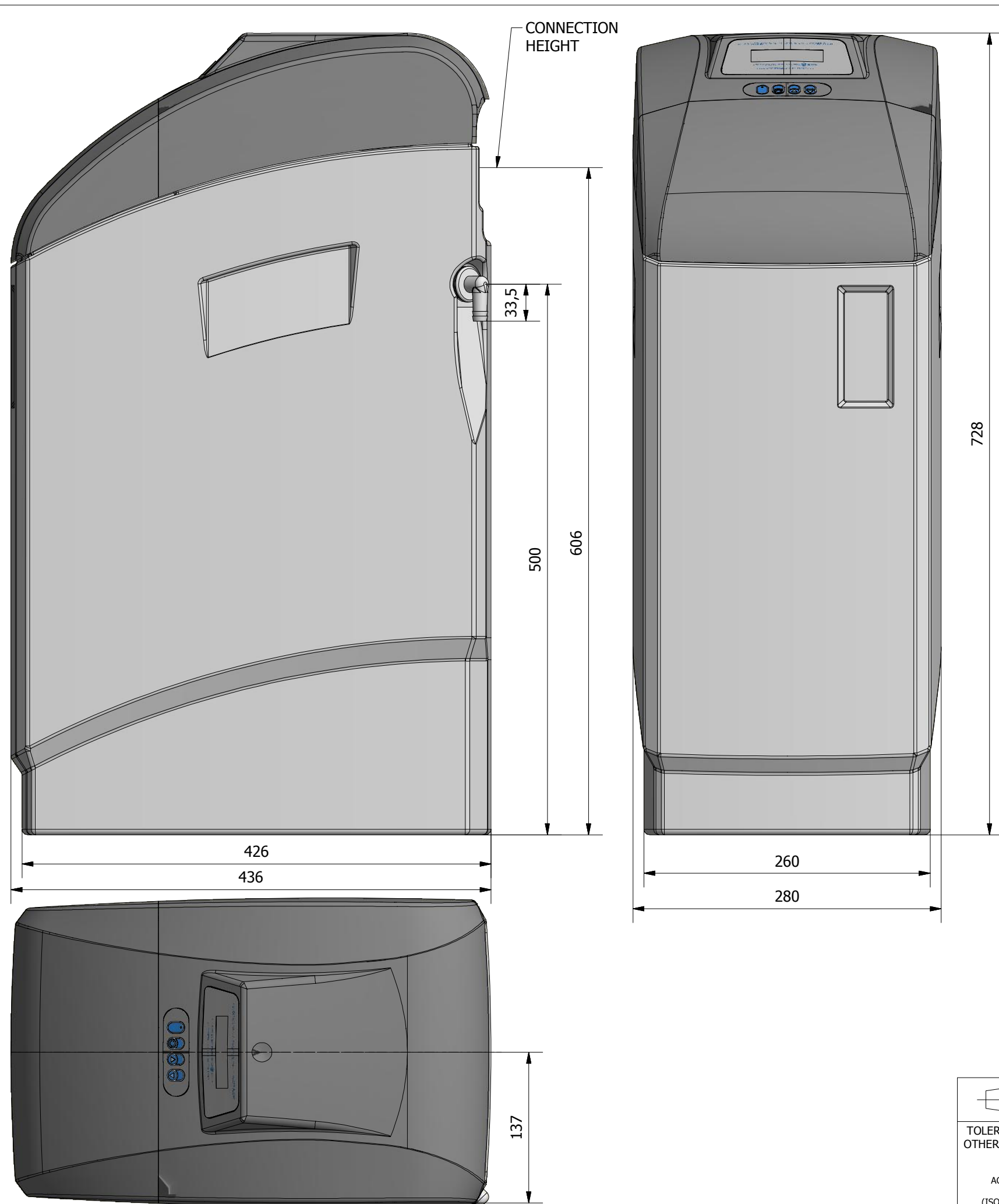
 TOLERANCES UNLESS OTHERWISE SPECIFIED ACCORDING TO ISO 3098-f (ISO GENERAL DIMS - CLASS FINE)	SCALE: 1/4	DRAWN BY: dswerts	DATE: 18/02/2016	CHECK BY:	DATE:	SHEET: 1 OF 1
	SIZE: A3	TITLE: MiniAqua - MAQ001				
MATERIAL:	DRAWING NUMBER: MAQ001				REV#: A	
FINISH:						

REVISION HISTORY					
REV	BECN#	DESCRIPTION	BY	DATE	CHK
A		RELEASED	DS	18/02/16	



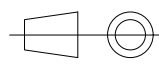
This drawing, design, print or document and the information contained herein is the sole property of Monarch Water and is maintained in the confidence with the understanding that the recipient shall not reproduce, copy, loan or disclose to anyone outside recipients organization directly or indirectly or use for any other purposes than that for which it is submitted.

 TOLERANCES UNLESS OTHERWISE SPECIFIED ACCORDING TO ISO 3098-f (ISO GENERAL DIMS - CLASS FINE)	SCALE: 1/4	DRAWN BY: dswerts	DATE: 18/02/2016	CHECK BY:	DATE:	SHEET: 1 OF 1
	SIZE: A3	TITLE: Midi - MIDM002		DRAWING NUMBER: MIDM002		REV#: A
MATERIAL:			DRAWING NUMBER: MIDM002			REV#: A
FINISH:			DRAWING NUMBER: MIDM002			REV#: A

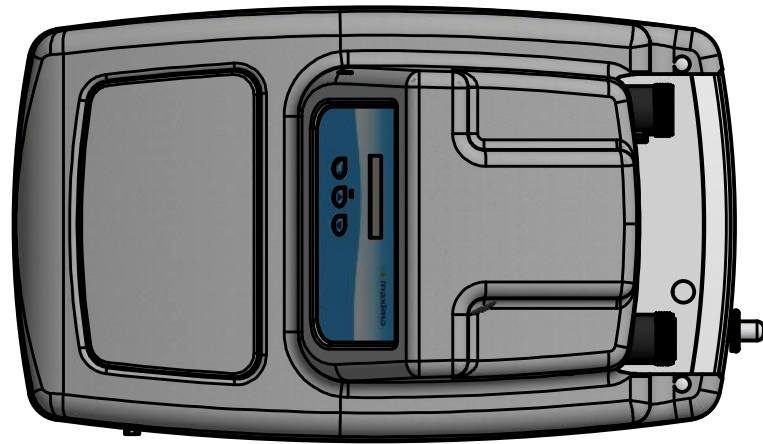
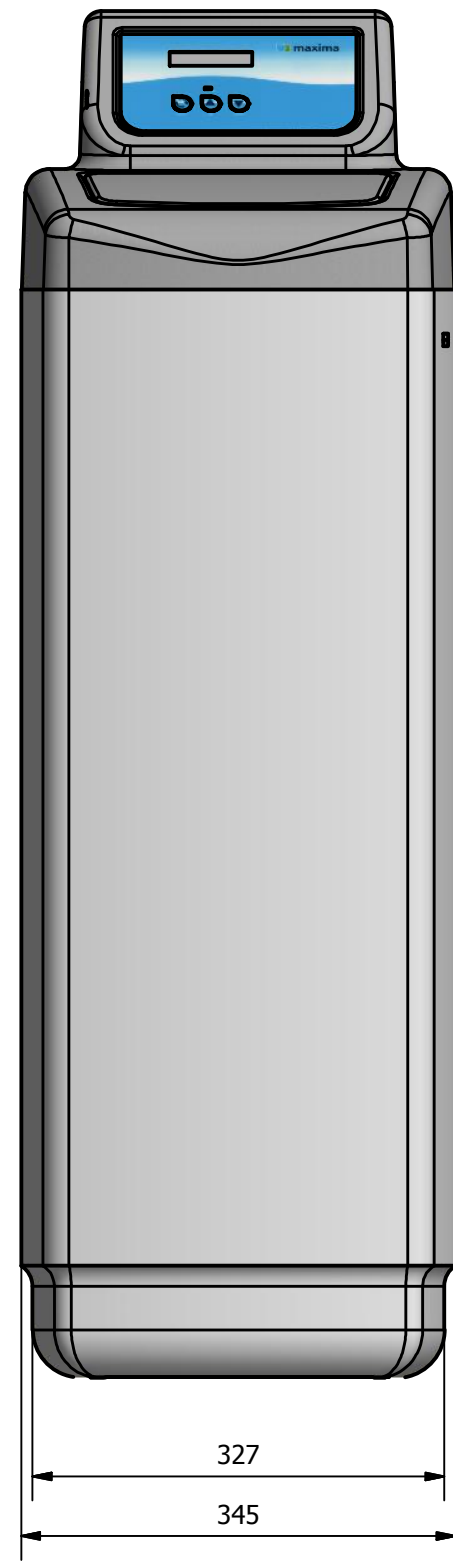
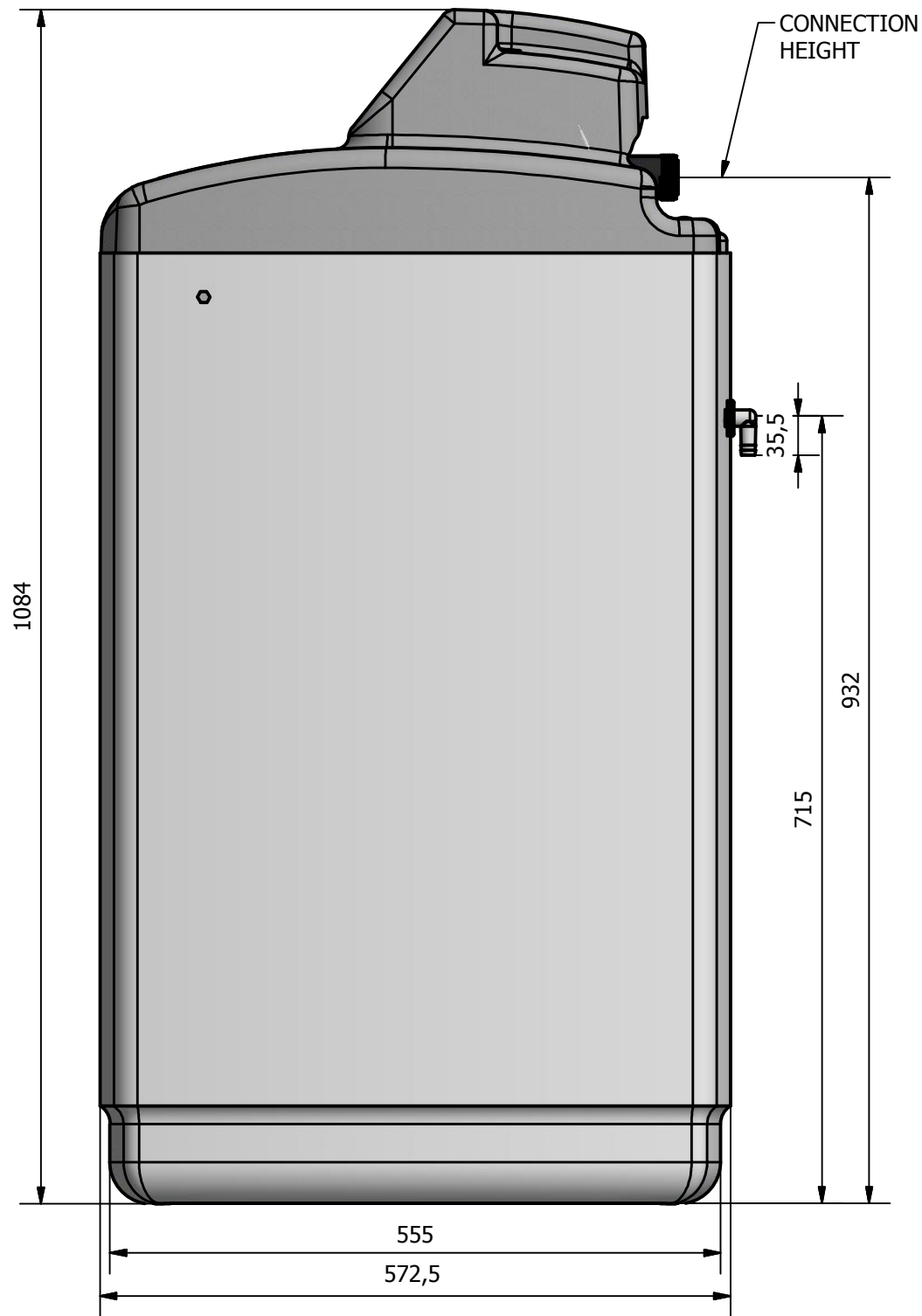


REVISION HISTORY					
REV	BECN#	DESCRIPTION	BY	DATE	CHK
A		RELEASED	DS	18/02/16	

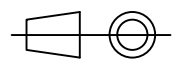
This drawing, design, print or document and the information contained herein is the sole property of Monarch Water. and is maintained in the confidence with the understanding that the recipient shall not reproduce, copy, loan or disclose to anyone outside recipients organization directly or indirectly or use for any other purposes than that for which it is submitted.

 TOLERANCES UNLESS OTHERWISE SPECIFIED ACCORDING TO ISO 3098-f (ISO GENERAL DIMS - CLASS FINE)	SCALE: 1/4	DRAWN BY: dswerts	DATE: 18/02/2016	CHECK BY:	DATE:	SHEET: 1 OF 1
	SIZE: A3	TITLE: Master MASM003		DRAWING NUMBER: MASM003		REV#: A
MATERIAL:			FINISH:			

REVISION HISTORY					
REV	BECN#	DESCRIPTION	BY	DATE	CHK
A		RELEASED	DS	18/02/16	



This drawing, design, print or document and the information contained herein is the sole property of Monarch Water and is maintained in the confidence with the understanding that the recipient shall not reproduce, copy, loan or disclose to anyone outside recipients organization directly or indirectly or use for any other purposes than that for which it is submitted.

 TOLERANCES UNLESS OTHERWISE SPECIFIED ACCORDING TO ISO 3098-f (ISO GENERAL DIMS - CLASS FINE)	SCALE: 1/4	DRAWN BY: dswerts	DATE: 18/02/2016	CHECK BY:	DATE:	SHEET: 1 OF 1
	SIZE: A3	TITLE: GS6004				
MATERIAL:	DRAWING NUMBER: GS6004				REV#: A	
FINISH:						