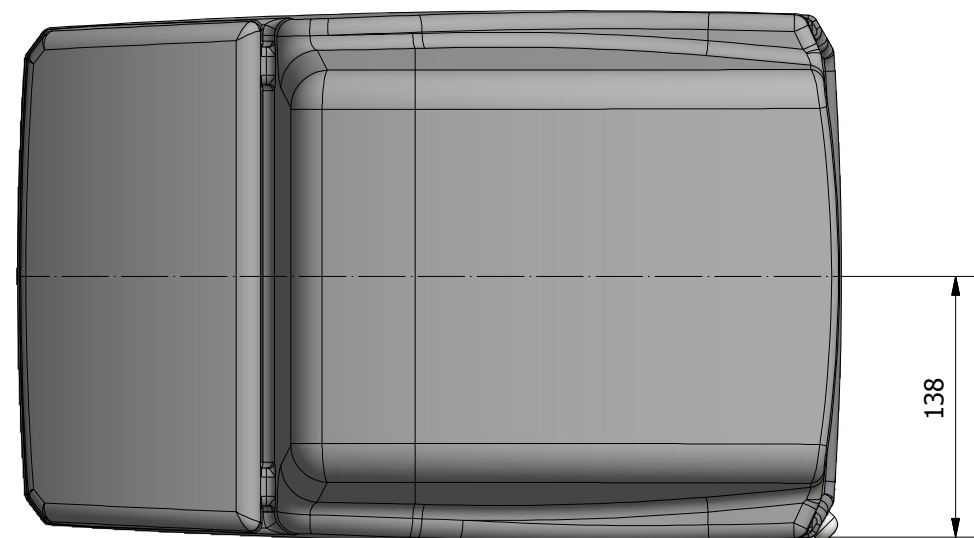
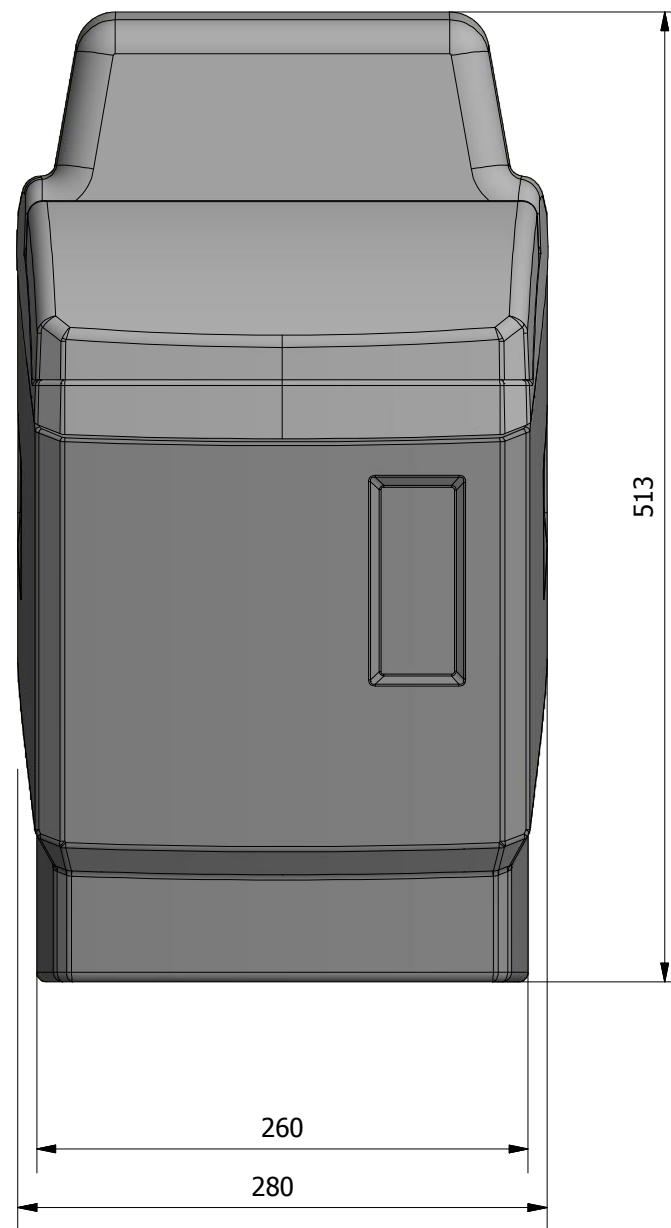
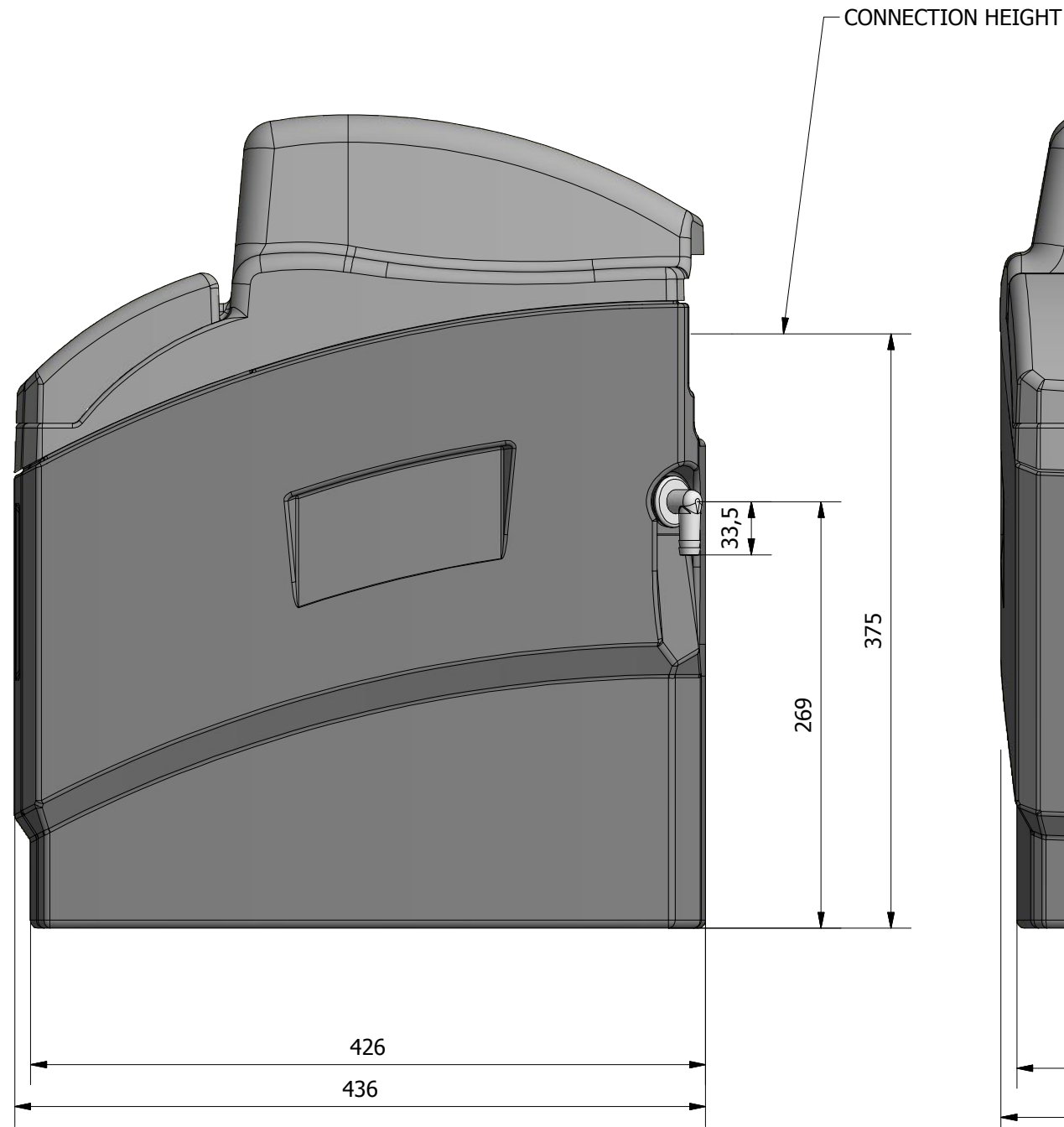
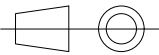


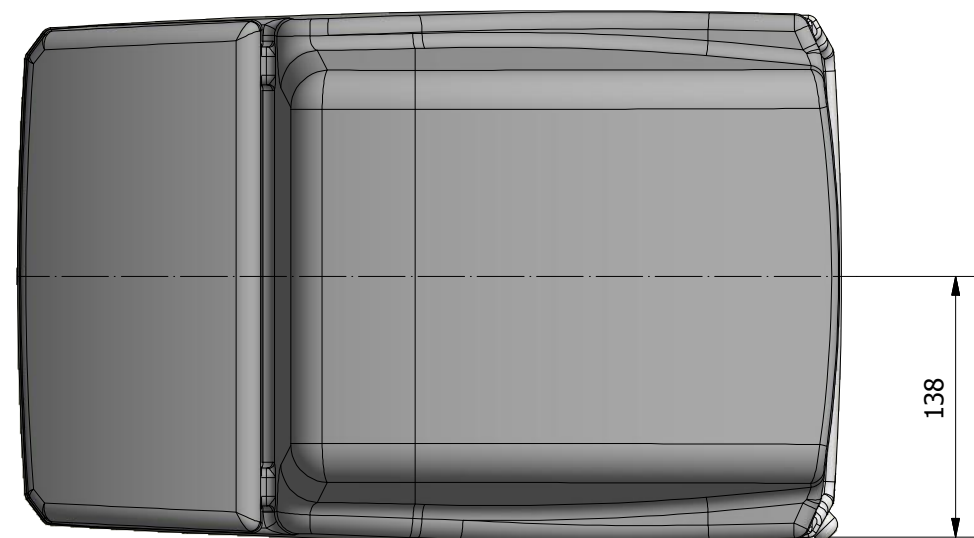
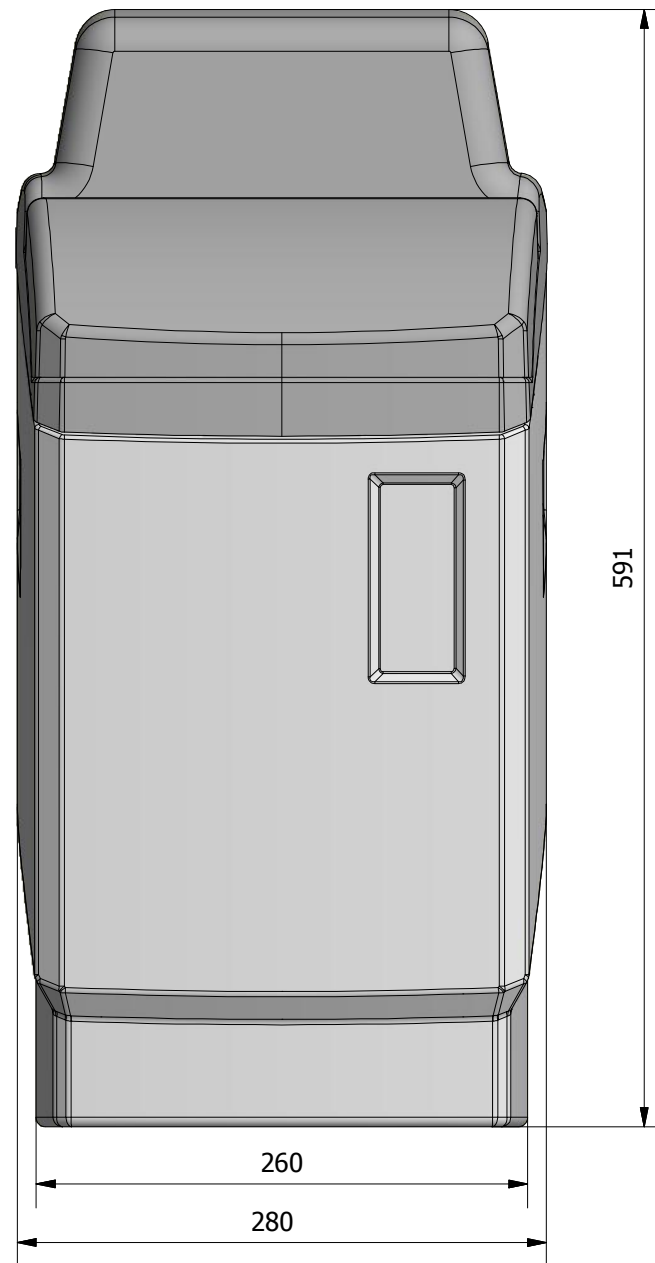
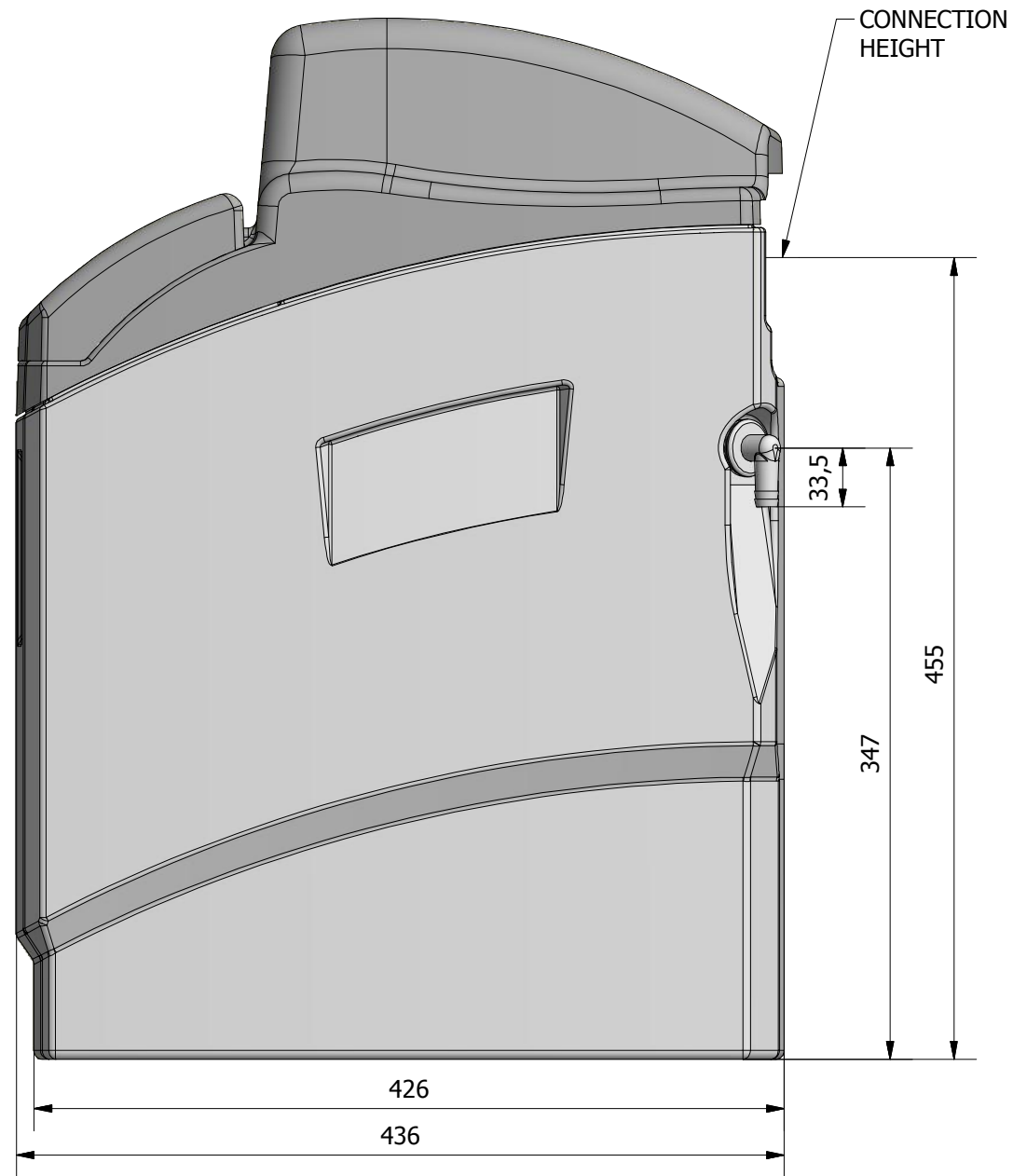
REVISION HISTORY					
REV	BECN#	DESCRIPTION	BY	DATE	CHK
A		RELEASED	DS	18/02/16	



This drawing, design, print or document and the information contained herein is the sole property of Monarch Water and is maintained in the confidence with the understanding that the recipient shall not reproduce, copy, loan or disclose to anyone outside recipients organization directly or indirectly or use for any other purposes than that for which it is submitted.

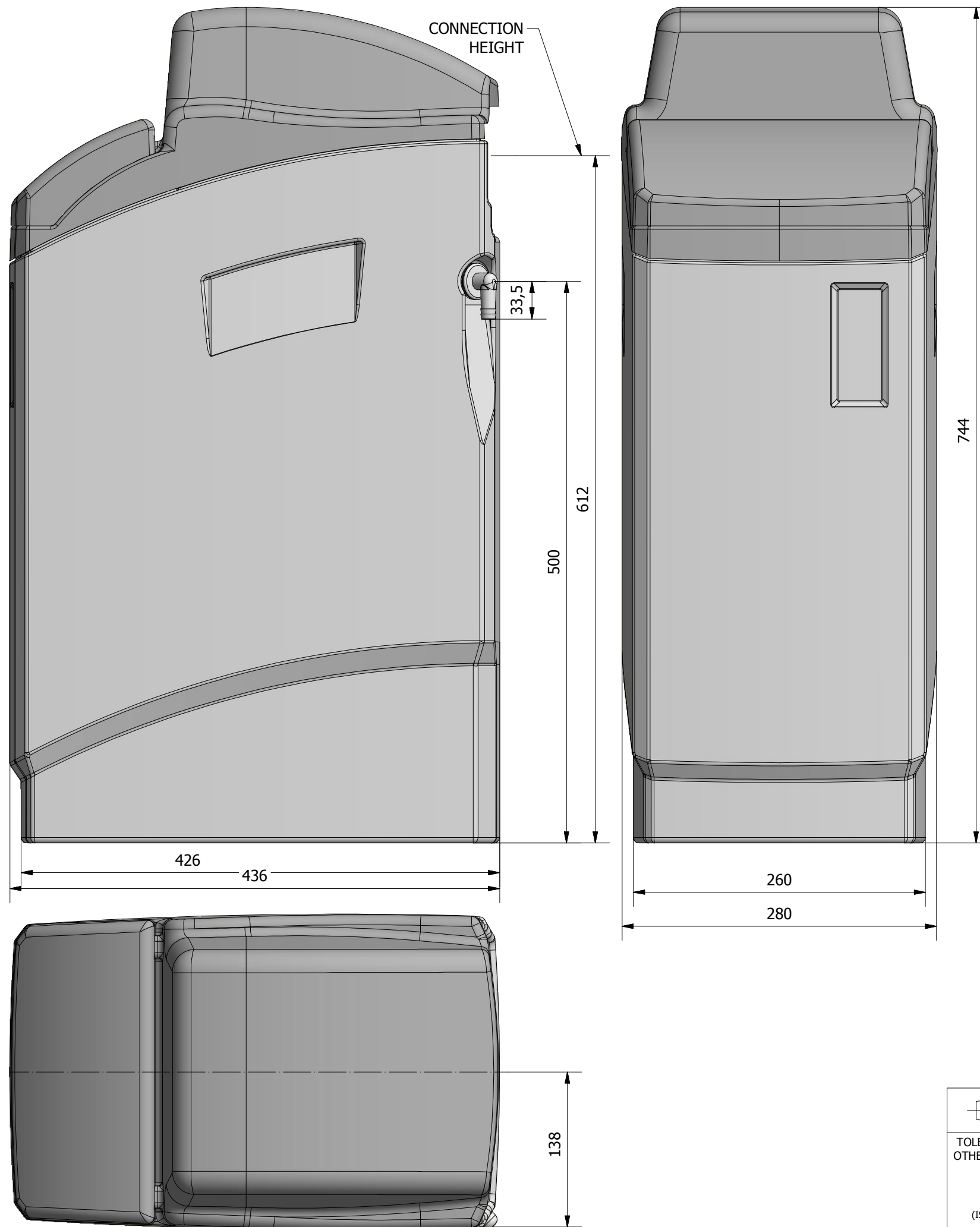
 TOLERANCES UNLESS OTHERWISE SPECIFIED ACCORDING TO ISO 3098-f (ISO GENERAL DIMS - CLASS FINE)	SCALE: 1/4	DRAWN BY: dswerts	DATE: 18/02/2016	CHECK BY:	DATE:	SHEET: 1 OF 1
	SIZE: A3	TITLE: CS10	DRAWING NUMBER: CS10			REV#: A
MATERIAL:		FINISH:				

REVISION HISTORY					
REV	BECN#	DESCRIPTION	BY	DATE	CHK
A		RELEASED	DS	18/02/16	



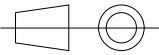
This drawing, design, print or document and the information contained herein is the sole property of Monarch Water and is maintained in the confidence with the understanding that the recipient shall not reproduce, copy, loan or disclose to anyone outside recipients organization directly or indirectly or use for any other purposes than that for which it is submitted.

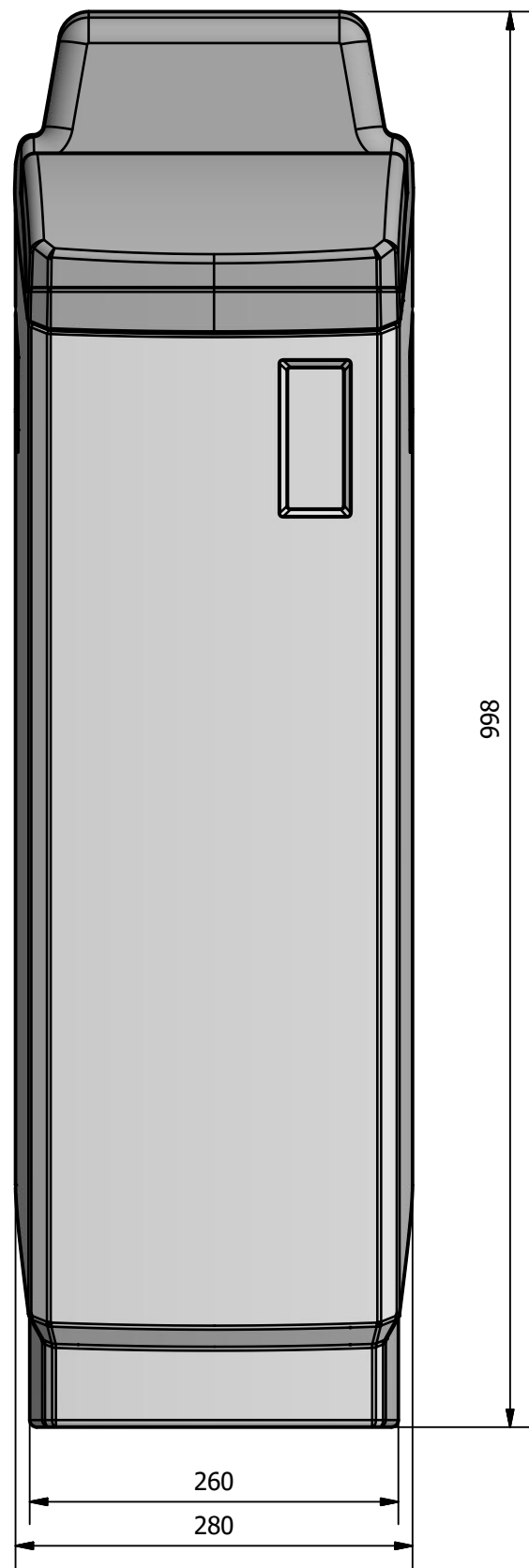
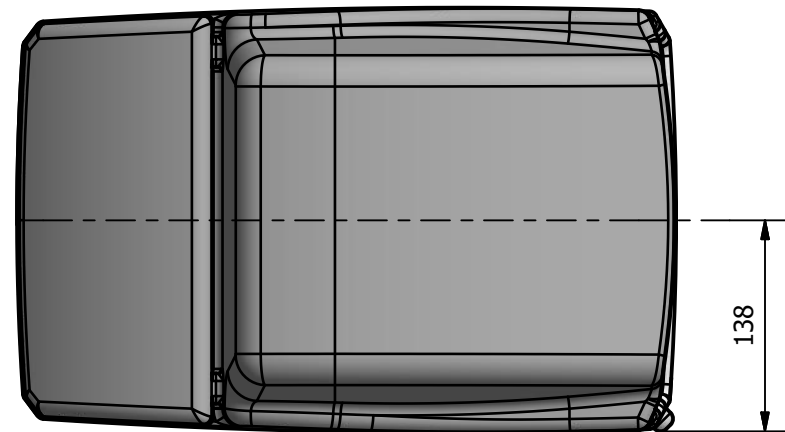
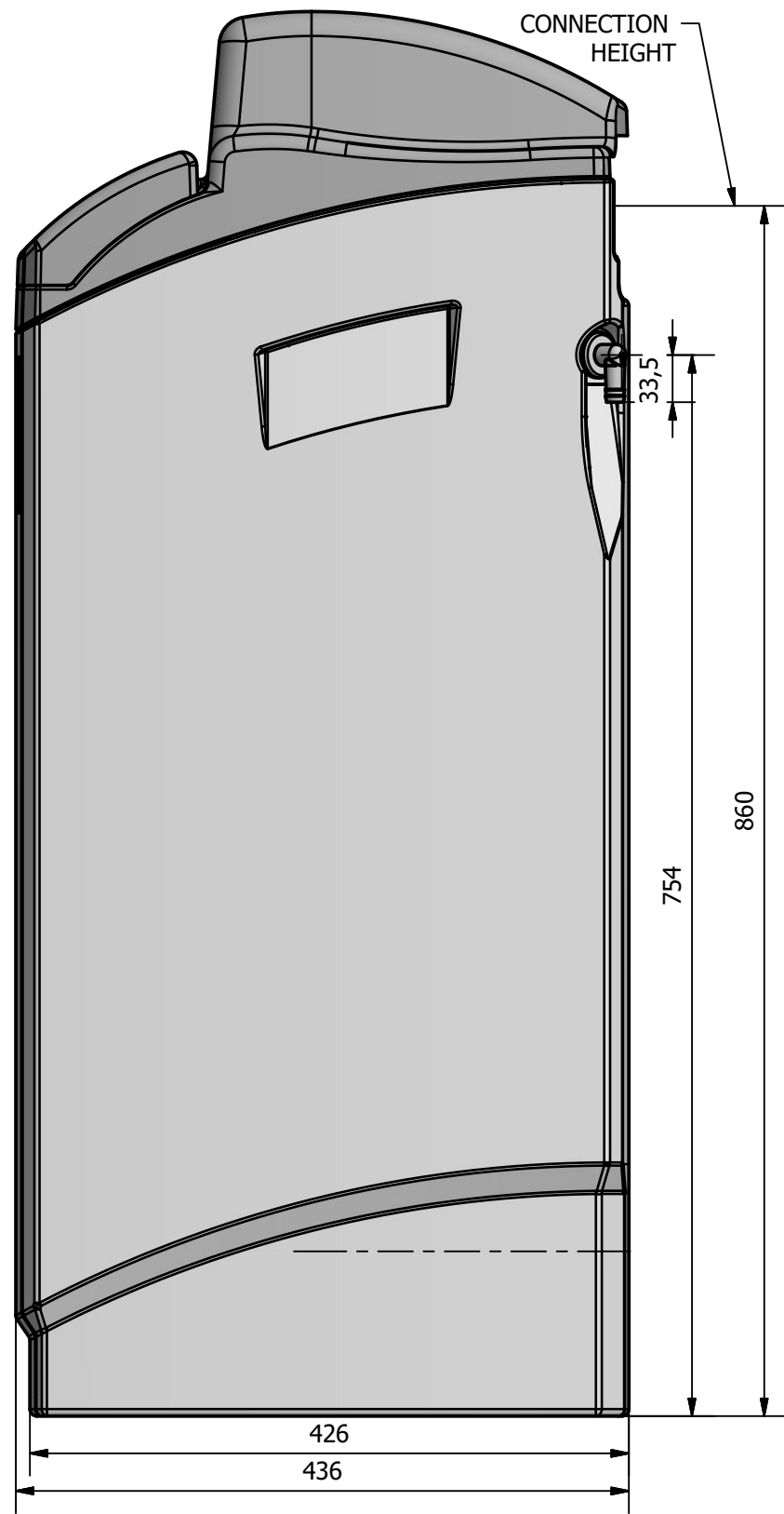
 TOLERANCES UNLESS OTHERWISE SPECIFIED	SCALE: 1/4	DRAWN BY: dswerts	DATE: 18/02/2016	CHECK BY:	DATE:	SHEET: 1 OF 1
	SIZE: A3	TITLE: CS15				
ACCORDING TO ISO 3098-f (ISO GENERAL DIMS - CLASS FINE)	MATERIAL:			DRAWING NUMBER: CS15		REV#: A
FINISH:						



REVISION HISTORY					
REV	BECN#	DESCRIPTION	BY	DATE	CHK
A		RELEASED	DS	18/02/16	

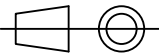
This drawing, design, print or document and the information contained herein is the sole property of Monarch Water and is maintained in the confidence with the understanding that the recipient shall not reproduce, copy, loan or disclose to anyone outside recipients organization directly or indirectly or use for any other purposes than that for which it is submitted.

 TOLERANCES UNLESS OTHERWISE SPECIFIED ACCORDING TO ISO 3098-f (ISO GENERAL DIMS - CLASS FINE)	SCALE: 1/4	DRAWN BY: dswerts	DATE: 18/02/2016	CHECK BY:	DATE:	SHEET: 1 OF 1
	SIZE: A3	TITLE: GS20	DRAWING NUMBER: GS20		REV#: A	
MATERIAL:			FINISH:			



REVISION HISTORY					
REV	BECN#	DESCRIPTION	BY	DATE	CHK
A		RELEASED	DS	19/02/2018	

This drawing, design, print or document and the information contained herein is the sole property of Monarch Water. and is maintained in the confidence with the understanding that the recipient shall not reproduce, copy, loan or disclose to anyone outside recipients organization directly or indirectly or use for any other purposes than that for which it is submitted.

 TOLERANCES UNLESS OTHERWISE SPECIFIED ACCORDING TO ISO 2768 (ISO GENERAL DIMS)	SCALE: 1/5	DRAWN BY: dswerts	DATE: 19/02/2018	CHECK BY:	DATE:	SHEET: 1 OF 1
	SIZE: A3	TITLE: CS25		DRAWING NUMBER: CS25		REV#: A
MATERIAL:				DRAWING NUMBER:		REV#:
FINISH:				CS25		A